

cpc

CHIEFTEK PRECISION CO., LTD.

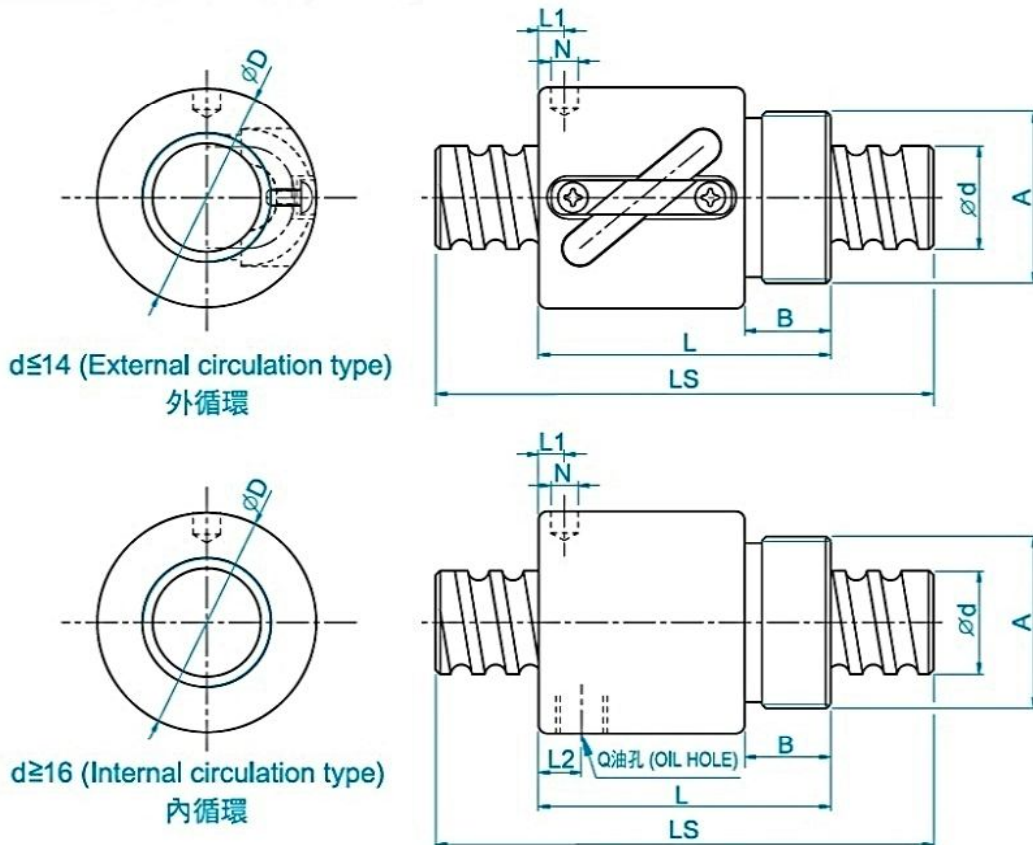
BALL SCREWS



BALL SCREW DIMENSION TABLE



TYPE : BSH

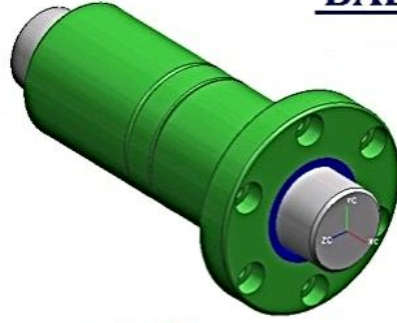


單位(Unit) : mm

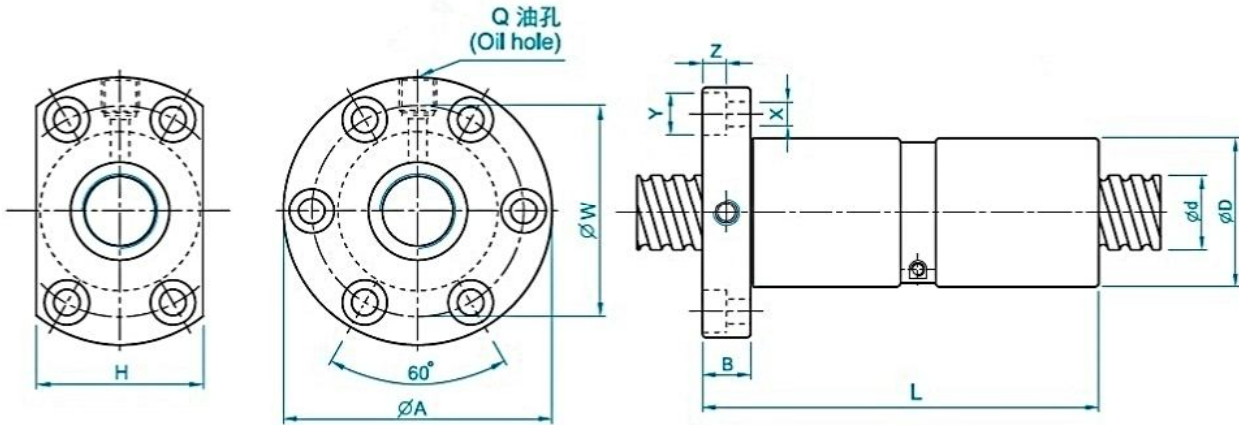
d:外徑 Screw O.D. l: 導程 Lead Da: 珠徑 Ball Dia. n: 珠圈數 Number of Circuits Ls: 螺桿長度 Screw Length
Ca: 動額定負荷 Basic Dynamic Rating Load (Kgf) Coa: 靜額定負荷 Basic Static Rating Load(Kgf)

| 型號 Model No. | 滾珠螺桿、螺帽之基準數據 Dimensions | | | | | | | | | | | | | | |
|-----------------|-------------------------|-----|-------|------|----------|-----|------|-------|-----|----|----|-------|------|------|----|
| | d | l | Da | D | A | B | L | L1 | N | L2 | Q | n | Ca | Coa | K |
| BSHR0082.5-2.5 | 8 | 2.5 | 1.2 | 17.5 | M15x1P | 7.5 | 23.5 | 10 | 3 | - | - | 2.5x1 | 189 | 381 | 11 |
| BSHR01002-3.5 | 10 | 2 | 1.2 | 19.5 | M17x1P | 7.5 | 22 | 3 | 3.2 | - | - | 3.5x1 | 277 | 664 | 17 |
| BSHR01004-2.5 | | 4 | 2 | 25 | M20x1P | 10 | 34 | 3 | 3 | - | - | 2.5x1 | 400 | 754 | 14 |
| BSHR01204-3.5 | 12 | 4 | 2.5 | 25.5 | M20x1P | 10 | 34 | 13 | 3 | - | - | 3.5x1 | 804 | 1649 | 23 |
| BSHR01205-3.5 | | 5 | 2.5 | 25.5 | M20x1P | 10 | 39 | 16.25 | 3 | - | - | 3.5x1 | 801 | 1644 | 24 |
| BSHR01404-3.5 | 14 | 4 | 2.381 | 32.1 | M25x1.5P | 10 | 35 | 13 | 3 | - | - | 3.5x1 | 804 | 1803 | 26 |
| BSHR01604-3 | 16 | 4 | 2.381 | 29 | M22x1.5P | 8 | 32 | 4 | 3.2 | - | - | 1x3 | 759 | 1804 | 24 |
| BSHR01605-3 | | 5 | 3.175 | 32.5 | M26x1.5P | 12 | 42 | 19.25 | 3 | - | - | 1x3 | 1077 | 2289 | 25 |
| BSHR02005-3 | 20 | 5 | 3.175 | 38 | M35x1.5P | 15 | 45 | 20.3 | 3 | - | - | 1x3 | 1211 | 2906 | 30 |
| BSHR02505-4 | 25 | 5 | 3.175 | 43 | M40x1.5P | 19 | 69 | 32.11 | 3 | 8 | M6 | 1x4 | 1724 | 4904 | 37 |

Note : Nuts do not attach seals from $\varnothing 8$ to $\varnothing 16$.



TYPE : DFI



單位(Unit) : mm

I: 導程 Lead Da: 珠徑 Ball Dia. n: 珠圈數 Number of Circuits K: 剛性 Stiffness (Kgf/μm)
Ca: 動額定負荷 Basic Dynamic Rating Load (Kgf) Coa: 靜額定負荷 Basic Static Rating Load(Kgf)

| 型號 Model No. | 滾珠螺桿、螺帽之基準數據 Dimensions | | | | | | | | | | | | | | | | |
|-----------------|-------------------------|----|-------|-----|-----|----|-----|-----|-----|-----|------|-----|----|-----|------|-------|-----|
| | d | l | Da | D | A | B | L | W | H | X | Y | Z | Q | n | Ca | Coa | K |
| DFI01604-4 | 16 | 4 | 2.381 | 30 | 49 | 10 | 80 | 39 | 34 | 4.5 | 8 | 4.5 | M6 | 1x4 | 973 | 2406 | 44 |
| DFI01605-4 | | 5 | 3.175 | 30 | 49 | 10 | 100 | 39 | 34 | 4.5 | 8 | 4.5 | M6 | 1x4 | 1380 | 3052 | 44 |
| DFI02004-4 | 20 | 4 | 2.381 | 34 | 57 | 11 | 80 | 45 | 40 | 5.5 | 9.5 | 5.5 | M6 | 1x4 | 1066 | 2987 | 51 |
| ★ DFI02005-4 | | 5 | 3.175 | 34 | 57 | 11 | 101 | 45 | 40 | 5.5 | 9.5 | 5.5 | M6 | 1x4 | 1551 | 3875 | 52 |
| DFI02504-4 | 25 | 4 | 2.381 | 40 | 63 | 11 | 80 | 51 | 46 | 5.5 | 9.5 | 5.5 | M6 | 1x4 | 1180 | 3795 | 60 |
| ★ DFI02505-4 | | 5 | 3.175 | 40 | 63 | 11 | 101 | 51 | 46 | 5.5 | 9.5 | 5.5 | M8 | 1x4 | 1724 | 4904 | 62 |
| DFI02510-4 | | 10 | 4.762 | 46 | 72 | 12 | 145 | 58 | 52 | 6.5 | 11 | 6.5 | M6 | 1x4 | 2954 | 7295 | 68 |
| DFI03204-4 | 32 | 4 | 2.381 | 46 | 72 | 12 | 80 | 58 | 52 | 6.5 | 11 | 6.5 | M6 | 1x4 | 1296 | 4838 | 69 |
| ★ DFI03205-4 | | 5 | 3.175 | 46 | 72 | 12 | 102 | 58 | 52 | 6.5 | 11 | 6.5 | M8 | 1x4 | 1922 | 6343 | 72 |
| DFI03210-4 | | 10 | 6.35 | 54 | 88 | 15 | 162 | 70 | 62 | 9 | 14 | 8.5 | M8 | 1x4 | 4805 | 12208 | 83 |
| ★ DFI04005-4 | 40 | 5 | 3.175 | 56 | 90 | 15 | 105 | 72 | 64 | 9 | 14 | 8.5 | M8 | 1x4 | 2110 | 7988 | 84 |
| DFI04010-4 | | 10 | 6.35 | 62 | 104 | 18 | 165 | 82 | 70 | 11 | 17.5 | 11 | M8 | 1x4 | 5399 | 15500 | 99 |
| DFI05010-4 | 50 | 10 | 6.35 | 72 | 114 | 18 | 171 | 92 | 82 | 11 | 17.5 | 11 | M8 | 1x4 | 6004 | 19614 | 115 |
| ★ DFI06310-4 | 63 | 10 | 6.35 | 85 | 131 | 22 | 182 | 107 | 95 | 14 | 20 | 13 | M8 | 1x4 | 6719 | 25358 | 135 |
| ★ DFI08010-4 | 80 | 10 | 6.35 | 105 | 150 | 22 | 182 | 127 | 115 | 14 | 20 | 13 | M8 | 1x4 | 7346 | 31953 | 156 |

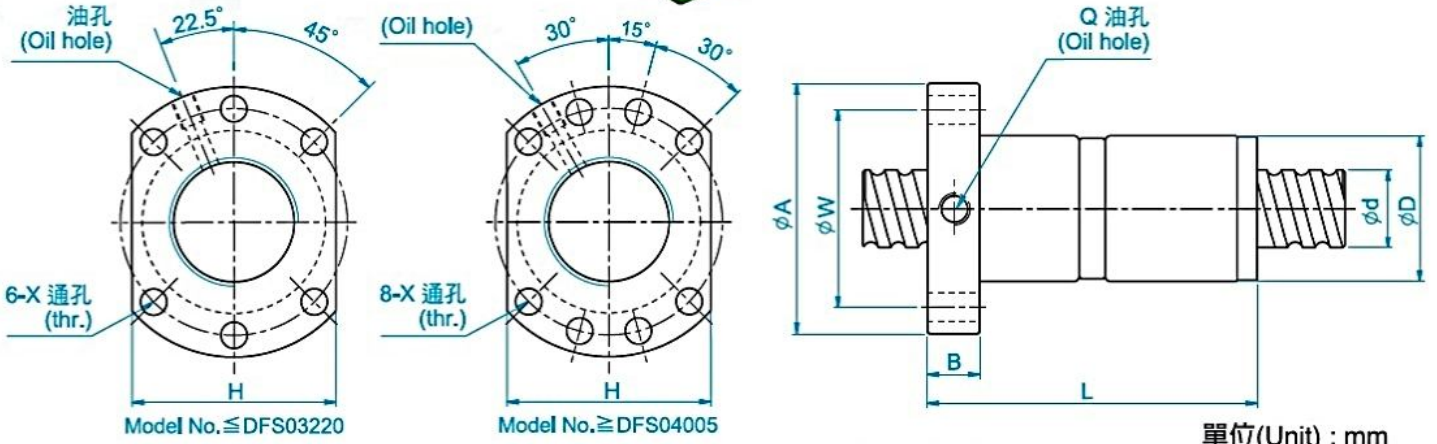
Note: with sign ★ can be produced in left helix



BALL SCREW DIMENSION TABLE

TYPE : DFS

High-Speed Ball Screw

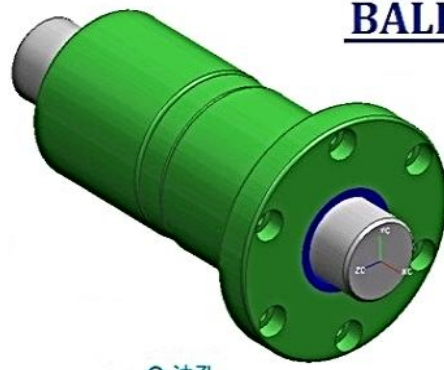


單位(Unit) : mm

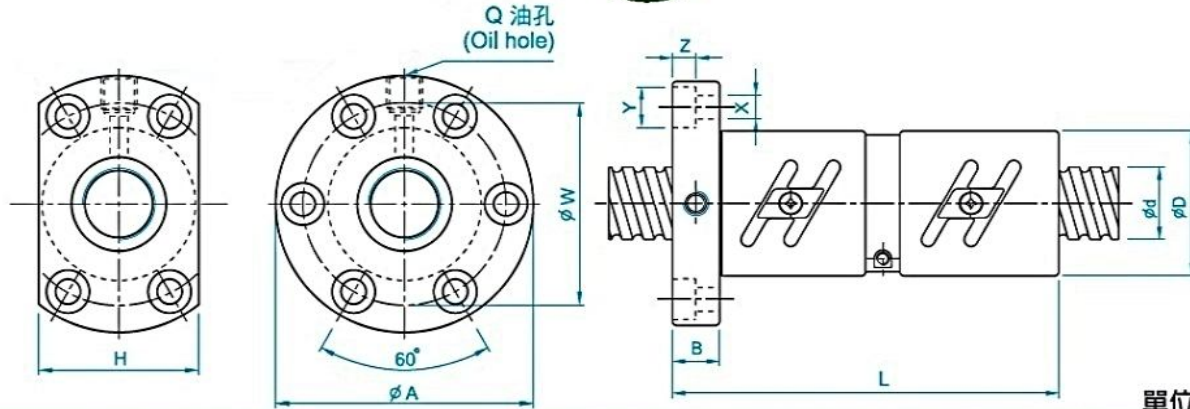
l: 導程 Lead Da: 珠徑 Ball Dia. n: 珠圈數 Number of Circuits K: 剛性 Stiffness (Kg/μm)
Ca: 動額定負荷 Basic Dynamic Rating Load (Kgf) Coa: 靜額定負荷 Basic Static Rating Load (Kgf)

| 型號 Model No. | 滾珠螺桿、螺帽之基準數據 Dimensions | | | | | | | | | | | | | | |
|-----------------|-------------------------|-------|-------|------|-----|-----|-----|-----|-----|------|-------|-------|-------|-------|-------|
| | d | l | Da | D | A | B | L | W | H | X | Q | n | Ca | Coa | K |
| DFS01605-3.8 | 15 | 5 | 2.778 | 28 | 48 | 10 | 73 | 38 | 40 | 5.5 | M6 | 3.8x1 | 1112 | 2507 | 41 |
| DFS01610-2.8 | | 10 | 2.778 | 28 | 48 | 10 | 97 | 38 | 40 | 5.5 | M6 | 2.8x1 | 839 | 1821 | 31 |
| DFS02005-3.8 | 20 | 5 | 3.175 | 36 | 58 | 10 | 75 | 47 | 44 | 6.6 | M6 | 3.8x1 | 1484 | 3681 | 50 |
| DFS02006-4.8 | | 6 | 3.175 | 36 | 58 | 10 | 98 | 47 | 44 | 6.6 | M6 | 4.8x1 | 1811 | 4644 | 63 |
| DFS02008-4.8 | | 8 | 3.175 | 36 | 58 | 10 | 116 | 47 | 44 | 6.6 | M6 | 4.8x1 | 1863 | 4861 | 66 |
| DFS02010-3.8 | | 10 | 3.175 | 36 | 58 | 10 | 120 | 47 | 44 | 6.6 | M6 | 3.8x1 | 1516 | 3833 | 53 |
| DFS02505-3.8 | 25 | 5 | 3.175 | 40 | 62 | 10 | 75 | 51 | 48 | 6.6 | M6 | 3.8x1 | 1650 | 4658 | 59 |
| DFS02506-4.8 | | 6 | 3.175 | 40 | 62 | 10 | 98 | 51 | 48 | 6.6 | M6 | 4.8x1 | 2015 | 5879 | 75 |
| DFS02508-4.8 | | 8 | 3.175 | 40 | 62 | 10 | 116 | 51 | 48 | 6.6 | M6 | 4.8x1 | 2009 | 5867 | 76 |
| DFS02510-3.8 | | 10 | 3.175 | 40 | 62 | 12 | 122 | 51 | 48 | 6.6 | M6 | 3.8x1 | 1638 | 4633 | 61 |
| DFS03205-3.8 | 32 | 5 | 3.175 | 50 | 80 | 12 | 82 | 65 | 62 | 9 | M6 | 3.8x1 | 1839 | 6026 | 71 |
| DFS03206-4.8 | | 6 | 3.175 | 50 | 80 | 12 | 99 | 65 | 62 | 9 | M6 | 4.8x1 | 2247 | 7608 | 90 |
| DFS03208-4.8 | | 8 | 3.969 | 50 | 80 | 12 | 126 | 65 | 62 | 9 | M6 | 4.8x1 | 3015 | 9181 | 92 |
| DFS03210-3.8 | 31 | 10 | 3.969 | 50 | 80 | 13 | 122 | 65 | 62 | 9 | M6 | 3.8x1 | 2460 | 7255 | 75 |
| DFS03220-2.8 | 20 | 3.969 | 50 | 80 | 12 | 160 | 65 | 62 | 9 | M6 | 2.8x1 | 1907 | 5482 | 58 | |
| DFS04005-3.8 | 40 | 5 | 3.175 | 63 | 93 | 15 | 85 | 78 | 70 | 9 | M8 | 3.8x1 | 2018 | 7589 | 83 |
| DFS04006-4.8 | | 6 | 3.175 | 63 | 93 | 14 | 98 | 78 | 70 | 9 | M6 | 4.8x1 | 2467 | 9583 | 106 |
| DFS04008-4.8 | | 8 | 3.969 | 63 | 93 | 14 | 125 | 78 | 70 | 9 | M6 | 4.8x1 | 3327 | 11491 | 110 |
| DFS04010-3.8 | 38 | 10 | 6.35 | 63 | 93 | 14 | 123 | 78 | 70 | 9 | M8 | 3.8x1 | 5035 | 13943 | 91 |
| DFS04020-2.8 | | 20 | 6.35 | 63 | 93 | 14 | 162 | 78 | 70 | 9 | M8 | 2.8x1 | 3959 | 10715 | 73 |
| DFS05005-3.8 | 50 | 5 | 3.175 | 75 | 110 | 15 | 85 | 93 | 85 | 11 | M8 | 3.8x1 | 2207 | 9542 | 96 |
| DFS05010-3.8 | | 10 | 6.35 | 75 | 110 | 18 | 138 | 93 | 85 | 11 | M8 | 3.8x1 | 5638 | 17852 | 109 |
| DFS05012-3.8 | | 12 | 6.35 | 75 | 110 | 18 | 147 | 93 | 85 | 11 | M8 | 3.8x1 | 5632 | 17836 | 110 |
| DFS05020-3.8 | 20 | 6.35 | 75 | 110 | 18 | 218 | 93 | 85 | 11 | M8 | 3.8x1 | 5749 | 18485 | 116 | |
| DFS06310-3.8 | 61 | 10 | 6.35 | 90 | 125 | 18 | 140 | 108 | 95 | 11 | M8 | 3.8x1 | 6343 | 23308 | 130 |
| DFS06316-3.8 | | 16 | 6.35 | 90 | 125 | 18 | 191 | 108 | 95 | 13.5 | M8 | 3.8x1 | 6327 | 23262 | 136 |
| DFS06320-3.8 | | 20 | 7.144 | 95 | 135 | 20 | 226 | 115 | 100 | 13.5 | M8 | 3.8x1 | 7493 | 26424 | 142 |
| DFS08010-3.8 | 77 | 10 | 6.35 | 105 | 145 | 20 | 140 | 125 | 110 | 13.5 | M8 | 3.8x1 | 6980 | 29563 | 149 |
| DFS08020-3.8 | | 20 | 9.525 | 125 | 165 | 25 | 230 | 145 | 130 | 13.5 | M8 | 3.8x1 | 12145 | 43598 | 174 |
| DFS10020-3.8 | | 96 | 20 | 12.7 | 150 | 202 | 30 | 244 | 176 | 155 | 17.5 | M8 | 3.8x1 | 19633 | 71408 |

Note: with sign ★ can be produced in left helix



TYPE : DFT



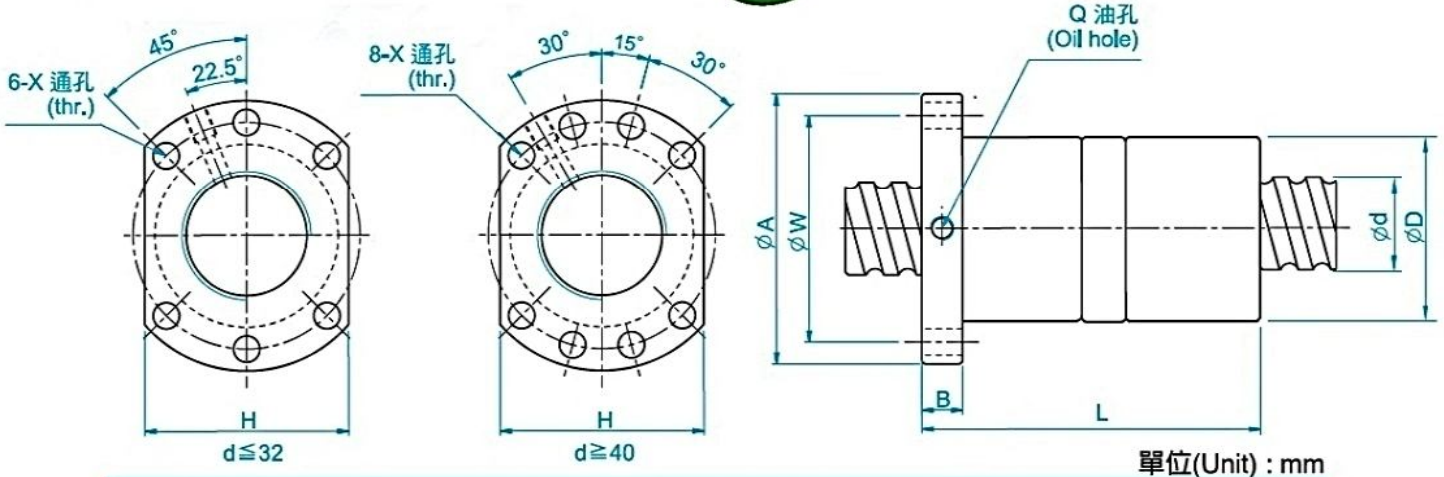
單位(Unit) : mm

I: 導程 Lead Da: 珠徑 Ball Dia. n: 珠圈數 Number of Circuits K: 剛性 Stiffness (Kgf/μm)
Ca: 動額定負荷 Basic Dynamic Rating Load (Kgf) Coa: 靜額定負荷 Basic Static Rating Load(Kgf)

| 型號 Model No. | 滾珠螺桿、螺帽之基準數據 Dimensions | | | | | | | | | | | | | | | | |
|-----------------|-------------------------|----|-------|-----|-----|----|-----|-----|-----|-----|------|------|----|-------|-------|-------|-----|
| | d | I | Da | D | A | B | L | W | H | X | Y | Z | Q | n | Ca | Coa | K |
| DFT02005-5 | 20 | 5 | 3.175 | 44 | 67 | 11 | 105 | 55 | 52 | 5.5 | 9.5 | 5.5 | M6 | 2.5x2 | 1879 | 4844 | 66 |
| DFT02505-5 | 25 | 5 | 3.175 | 50 | 73 | 11 | 105 | 61 | 52 | 5.5 | 9.5 | 5.5 | M8 | 2.5x2 | 2089 | 6129 | 78 |
| DFT02510-2.5 | | 10 | 6.35 | 68 | 102 | 15 | 130 | 84 | 82 | 9 | 14 | 8.5 | M8 | 2.5x1 | 2845 | 6062 | 46 |
| DFT03205-5 | 32 | 5 | 3.175 | 58 | 85 | 12 | 106 | 71 | 64 | 6.6 | 11 | 6.5 | M8 | 2.5x2 | 2329 | 7929 | 94 |
| DFT03206-5 | | 6 | 3.969 | 62 | 89 | 12 | 123 | 75 | 68 | 6.6 | 11 | 6.5 | M8 | 2.5x2 | 3189 | 9974 | 99 |
| DFT03208-5 | 32 | 8 | 4.762 | 66 | 100 | 15 | 154 | 82 | 76 | 9 | 14 | 8.5 | M8 | 2.5x2 | 4103 | 12028 | 104 |
| DFT03210-5 | | 10 | 6.35 | 74 | 108 | 16 | 187 | 90 | 82 | 9 | 14 | 8.5 | M8 | 2.5x2 | 5821 | 15259 | 105 |
| DFT03220-2.5 | 40 | 20 | 6.35 | 74 | 108 | 16 | 198 | 90 | 82 | 9 | 14 | 8.5 | M8 | 2.5x1 | 3284 | 8004 | 57 |
| DFT04005-5 | | 5 | 3.175 | 67 | 101 | 15 | 109 | 83 | 72 | 9 | 14 | 8.5 | M8 | 2.5x2 | 2556 | 9985 | 110 |
| DFT04010-5 | 40 | 10 | 6.35 | 82 | 124 | 18 | 188 | 102 | 94 | 11 | 17.5 | 11 | M8 | 2.5x2 | 6541 | 19375 | 126 |
| DFT04020-2.5 | | 20 | 6.35 | 82 | 124 | 18 | 200 | 102 | 90 | 11 | 17.5 | 11 | M8 | 2.5x1 | 3683 | 10086 | 69 |
| DFT05010-5 | 50 | 10 | 6.35 | 93 | 135 | 18 | 193 | 113 | 98 | 11 | 17.5 | 11 | M8 | 2.5x2 | 7274 | 24518 | 149 |
| DFT05020-2.5 | | 20 | 9.525 | 105 | 152 | 28 | 225 | 128 | 110 | 14 | 20 | 13 | M8 | 2.5x1 | 6867 | 18241 | 84 |
| DFT06310-5 | 63 | 10 | 6.35 | 108 | 154 | 22 | 197 | 130 | 110 | 14 | 20 | 13 | M8 | 2.5x2 | 8141 | 31697 | 179 |
| DFT06320-2.5 | | 20 | 9.525 | 122 | 180 | 28 | 227 | 150 | 130 | 18 | 26 | 17.5 | M8 | 2.5x1 | 7639 | 22908 | 100 |
| DFT08010-5 | 80 | 10 | 6.35 | 130 | 176 | 22 | 195 | 152 | 132 | 14 | 20 | 13 | M8 | 2.5x2 | 8900 | 39942 | 209 |
| DFT08020-5 | | 20 | 9.525 | 143 | 204 | 28 | 340 | 172 | 148 | 18 | 26 | 18 | M8 | 2.5x2 | 15642 | 59684 | 235 |



TYPE : DFU



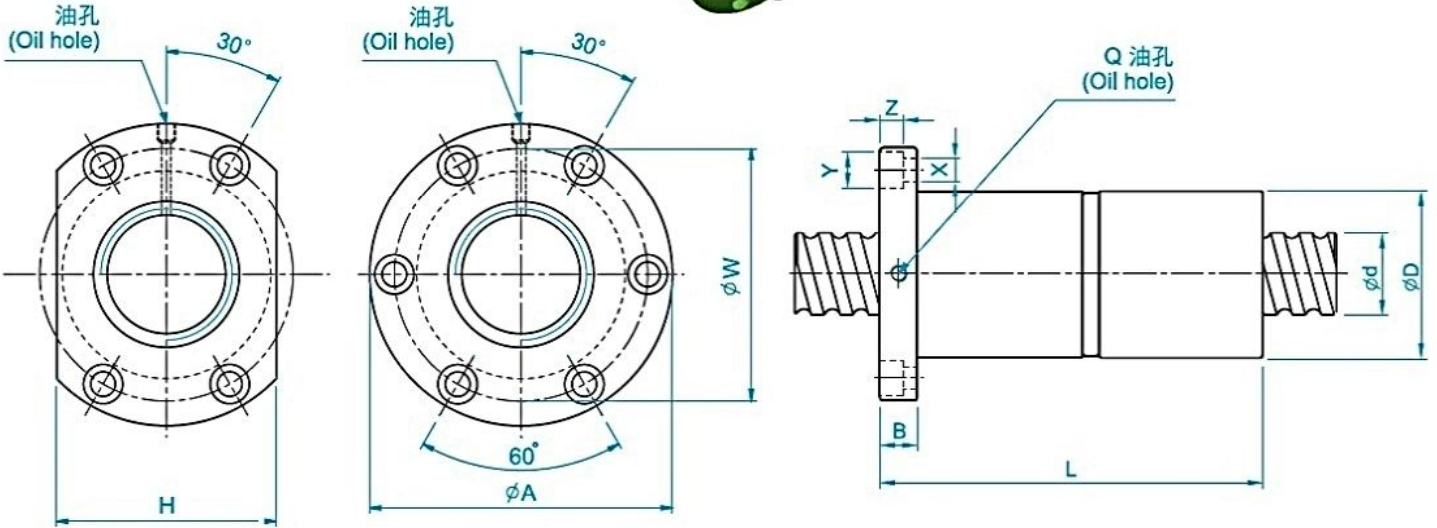
I: 導程 Lead Da: 珠徑 Ball Dia. n: 珠圈數 Number of Circuits K: 剛性 Stiffness (Kgf/ μ m)
Ca: 動額定負荷 Basic Dynamic Rating Load (Kgf) Coa: 靜額定負荷 Basic Static Rating Load (Kgf)

| 型號 Model No. | 滾珠螺桿、螺帽之基準數據 Dimensions | | | | | | | | | | | | | | |
|-----------------|-------------------------|-------|-------|-----|-----|-----|-----|-----|------|-----|-----|------|-------|-------|-----|
| | d | l | Da | D | A | B | L | W | X | H | Q | n | Ca | Coa | K |
| ★ DFU01604-4 | 16 | 4 | 2.381 | 28 | 48 | 10 | 80 | 38 | 5.5 | 40 | M6 | 1x4 | 973 | 2406 | 43 |
| ★ DFU01605-4 | | 5 | 3.175 | 28 | 48 | 10 | 100 | 38 | 5.5 | 40 | M6 | 1x4 | 1380 | 3052 | 44 |
| ★ DFU01610-3 | | 10 | 3.175 | 28 | 48 | 10 | 118 | 38 | 5.5 | 40 | M6 | 1x3 | 1103 | 2401 | 35 |
| ★ DFU02004-4 | 20 | 4 | 2.381 | 36 | 58 | 10 | 80 | 47 | 6.6 | 44 | M6 | 1x4 | 1066 | 2987 | 51 |
| ★ DFU02005-4 | | 5 | 3.175 | 36 | 58 | 10 | 101 | 47 | 6.6 | 44 | M6 | 1x4 | 1551 | 3875 | 53 |
| ★ DFU02504-4 | 25 | 4 | 2.381 | 40 | 62 | 10 | 80 | 51 | 6.6 | 48 | M6 | 1x4 | 1180 | 3795 | 60 |
| ★ DFU02505-4 | | 5 | 3.175 | 40 | 62 | 10 | 101 | 51 | 6.6 | 48 | M6 | 1x4 | 1724 | 4904 | 62 |
| ★ DFU02506-4 | | 6 | 3.969 | 40 | 62 | 10 | 105 | 51 | 6.6 | 48 | M6 | 1x4 | 2318 | 6057 | 64 |
| ★ DFU02508-4 | | 8 | 4.762 | 40 | 62 | 10 | 120 | 51 | 6.6 | 48 | M6 | 1x4 | 2963 | 7313 | 67 |
| ★ DFU02510-4 | 10 | 4.762 | 40 | 62 | 12 | 145 | 51 | 6.6 | 48 | M6 | 1x4 | 2954 | 7295 | 67 | |
| ★ DFU03204-4 | 32 | 4 | 2.381 | 50 | 80 | 12 | 80 | 65 | 9 | 62 | M6 | 1x4 | 1296 | 4838 | 71 |
| ★ DFU03205-4 | | 5 | 3.175 | 50 | 80 | 12 | 102 | 65 | 9 | 62 | M6 | 1x4 | 1922 | 6343 | 74 |
| ★ DFU03206-4 | | 6 | 3.969 | 50 | 80 | 12 | 105 | 65 | 9 | 62 | M6 | 1x4 | 2632 | 7979 | 78 |
| ★ DFU03208-4 | | 8 | 4.762 | 50 | 80 | 12 | 122 | 65 | 9 | 62 | M6 | 1x4 | 3387 | 9622 | 82 |
| ★ DFU03210-4 | | 10 | 6.35 | 50 | 80 | 12 | 162 | 65 | 9 | 62 | M6 | 1x4 | 4805 | 12208 | 82 |
| ★ DFU04005-4 | 40 | 5 | 3.175 | 63 | 93 | 14 | 105 | 78 | 9 | 70 | M8 | 1x4 | 2110 | 7988 | 87 |
| ★ DFU04006-4 | | 6 | 3.969 | 63 | 93 | 14 | 108 | 78 | 9 | 70 | M6 | 1x4 | 2873 | 9913 | 91 |
| ★ DFU04008-4 | | 8 | 4.762 | 63 | 93 | 14 | 132 | 78 | 9 | 70 | M6 | 1x4 | 3712 | 11947 | 96 |
| ★ DFU04010-4 | | 10 | 6.35 | 63 | 93 | 14 | 165 | 78 | 9 | 70 | M8 | 1x4 | 5399 | 15500 | 99 |
| ★ DFU05010-4 | 50 | 10 | 6.35 | 75 | 110 | 16 | 171 | 93 | 11 | 85 | M8 | 1x4 | 6004 | 19614 | 117 |
| ★ DFU05020-4 | | 20 | 7.144 | 75 | 110 | 16 | 280 | 93 | 11 | 85 | M8 | 1x4 | 7142 | 22588 | 126 |
| ★ DFU06310-4 | 63 | 10 | 6.35 | 90 | 125 | 18 | 182 | 108 | 11 | 95 | M8 | 1x4 | 6719 | 25358 | 139 |
| ★ DFU06320-4 | | 20 | 9.525 | 95 | 135 | 20 | 290 | 115 | 13.5 | 100 | M8 | 1x4 | 11444 | 36653 | 152 |
| ★ DFU08010-4 | 80 | 10 | 6.35 | 105 | 145 | 20 | 182 | 125 | 13.5 | 110 | M8 | 1x4 | 7346 | 31953 | 156 |
| ★ DFU08020-4 | | 20 | 9.525 | 125 | 165 | 25 | 295 | 145 | 13.5 | 130 | M8 | 1x4 | 12911 | 47747 | 187 |
| ★ DFU10020-4 | 100 | 20 | 9.525 | 150 | 202 | 30 | 340 | 170 | 17.5 | 155 | M8 | 1x4 | 14303 | 60698 | 222 |

Note: with sign ★ can be produced in left helix



TYPE : DFV



單位(Unit) : mm

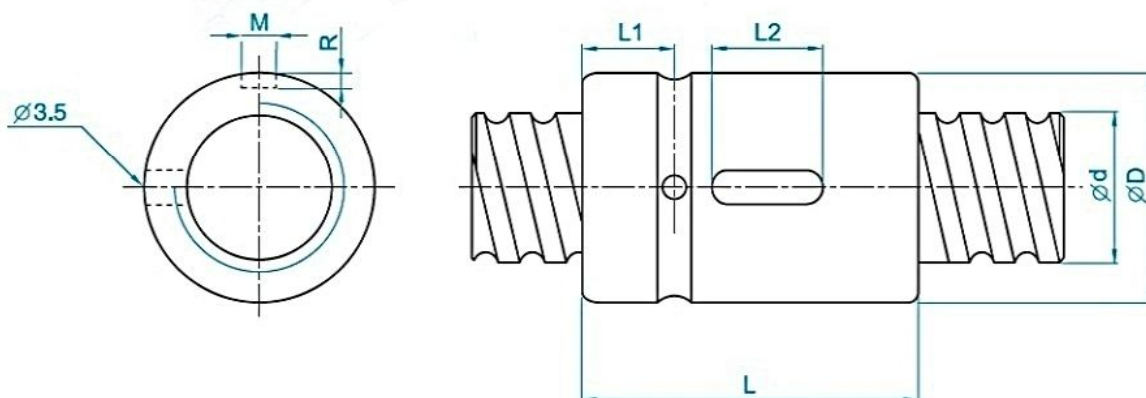
I: 導程 Lead Da: 珠徑 Ball Dia. n: 珠圈數 Number of Circuits K: 剛性 Stiffness (Kgf/μm)
Ca: 動額定負荷 Basic Dynamic Rating Load (Kgf) Coa: 靜額定負荷 Basic Static Rating Load(Kgf)

| 型號 Model No. | 滾珠螺桿、螺帽之基準數據 Dimensions | | | | | | | | | | | | | | | | |
|-----------------|-------------------------|----|-------|-----|-----|----|-----|-----|-----|-----|------|------|----|-------|-------|-------|-----|
| | d | l | Da | D | A | B | L | W | H | X | Y | Z | Q | n | Ca | Coa | K |
| DFV01510-2.7 | 15 | 10 | 3.175 | 34 | 58 | 10 | 107 | 45 | 34 | 5.5 | 9.5 | 5.5 | M6 | 2.7x1 | 972 | 2020 | 30 |
| DFV01604-3.8 | | 4 | 2.381 | 34 | 57 | 11 | 89 | 45 | 34 | 5.5 | 9.5 | 5.5 | M6 | 3.8x1 | 931 | 2285 | 42 |
| DFV01605-4.8 | 16 | 5 | 3.175 | 40 | 63 | 11 | 113 | 51 | 42 | 5.5 | 9.5 | 5.5 | M6 | 4.8x1 | 1614 | 3662 | 53 |
| DFV01610-2.7 | | 10 | 3.175 | 40 | 63 | 11 | 106 | 51 | 42 | 5.5 | 9.5 | 5.5 | M6 | 2.7x1 | 1008 | 2161 | 32 |
| DFV02004-4.8 | | 4 | 2.381 | 40 | 60 | 10 | 94 | 50 | 40 | 4.5 | 8 | 4 | M6 | 4.8x1 | 1247 | 3584 | 61 |
| DFV02005-4.8 | 20 | 5 | 3.175 | 44 | 67 | 11 | 112 | 55 | 52 | 5.5 | 9.5 | 5.5 | M6 | 4.8x1 | 1814 | 4650 | 63 |
| DFV02010-2.7 | | 10 | 3.969 | 46 | 74 | 13 | 117 | 59 | 46 | 6.6 | 11 | 6.5 | M6 | 2.7x1 | 1518 | 3398 | 40 |
| DFV02505-4.8 | | 5 | 3.175 | 50 | 73 | 11 | 105 | 61 | 52 | 5.5 | 9.5 | 5.5 | M8 | 4.8x1 | 2017 | 5884 | 75 |
| DFV02506-4.8 | | 6 | 3.969 | 53 | 76 | 11 | 116 | 64 | 58 | 5.5 | 9.5 | 5.5 | M6 | 4.8x1 | 2711 | 7268 | 78 |
| DFV02508-4.8 | 25 | 8 | 4.762 | 56 | 85 | 13 | 134 | 71 | 64 | 6.5 | 11 | 6.5 | M6 | 4.8x1 | 3466 | 8776 | 82 |
| DFV02510-2.7 | | 10 | 6.35 | 68 | 102 | 15 | 130 | 84 | 82 | 9 | 14 | 8.5 | M8 | 2.7x1 | 3040 | 6547 | 49 |
| DFV03204-4.8 | | 4 | 2.381 | 54 | 81 | 12 | 94 | 67 | 64 | 6.6 | 11 | 6.5 | M6 | 4.8x1 | 1517 | 5806 | 85 |
| DFV03205-4.8 | | 5 | 3.175 | 58 | 85 | 12 | 106 | 71 | 64 | 6.6 | 11 | 6.5 | M8 | 4.8x1 | 2249 | 7612 | 90 |
| DFV03206-4.8 | 32 | 6 | 3.969 | 62 | 89 | 12 | 114 | 75 | 68 | 6.6 | 11 | 6.5 | M8 | 4.8x1 | 3079 | 9575 | 95 |
| DFV03208-4.8 | | 8 | 4.762 | 66 | 100 | 15 | 139 | 82 | 76 | 9 | 14 | 8.5 | M8 | 4.8x1 | 3962 | 11547 | 100 |
| DFV03210-4.8 | | 10 | 6.35 | 74 | 108 | 15 | 186 | 90 | 82 | 9 | 14 | 9 | M8 | 4.8x1 | 5620 | 14649 | 101 |
| DFV03220-2.7 | | 20 | 6.35 | 74 | 108 | 16 | 200 | 90 | 82 | 9 | 14 | 8.5 | M8 | 2.7x1 | 3509 | 8644 | 61 |
| DFV04005-4.8 | | 5 | 3.175 | 67 | 101 | 15 | 109 | 83 | 72 | 9 | 14 | 8.5 | M8 | 4.8x1 | 2468 | 9586 | 105 |
| DFV04010-4.8 | 40 | 10 | 6.35 | 82 | 124 | 18 | 188 | 102 | 94 | 11 | 17.5 | 11 | M8 | 4.8x1 | 6316 | 18600 | 121 |
| DFV04020-2.7 | | 20 | 6.35 | 82 | 124 | 18 | 200 | 102 | 90 | 11 | 17.5 | 11 | M8 | 2.7x1 | 3935 | 10893 | 74 |
| DFV05005-4.8 | | 5 | 3.175 | 80 | 114 | 15 | 115 | 96 | 82 | 9 | 14 | 8.5 | M8 | 4.8x1 | 2698 | 12053 | 122 |
| DFV05010-4.8 | 50 | 10 | 6.35 | 93 | 135 | 16 | 173 | 113 | 98 | 11 | 17.5 | 11 | M8 | 4.8x1 | 7023 | 23537 | 144 |
| DFV05020-2.7 | | 20 | 9.525 | 105 | 152 | 28 | 221 | 128 | 110 | 14 | 20 | 13 | M8 | 2.7x1 | 7336 | 19700 | 90 |
| DFV06310-4.8 | | 10 | 6.35 | 108 | 154 | 22 | 195 | 130 | 110 | 14 | 20 | 13 | M8 | 4.8x1 | 7860 | 30430 | 172 |
| DFV06320-2.7 | 63 | 20 | 9.525 | 122 | 180 | 28 | 220 | 150 | 130 | 18 | 26 | 17.5 | M8 | 2.7x1 | 8162 | 24741 | 107 |
| DFV08010-4.8 | | 10 | 6.35 | 130 | 176 | 22 | 195 | 152 | 132 | 14 | 20 | 13 | M8 | 4.8x1 | 8593 | 38344 | 201 |
| DFV08020-4.8 | 80 | 20 | 9.525 | 143 | 204 | 28 | 340 | 172 | 148 | 18 | 26 | 18 | M8 | 4.8x1 | 15103 | 57296 | 226 |
| DFV08020-7.6 | | 20 | 9.525 | 143 | 204 | 28 | 460 | 172 | 148 | 18 | 26 | 18 | M8 | 3.8x2 | 22423 | 90719 | 351 |

Note: with sign ★ can be produced in left helix



TYPE : SCI

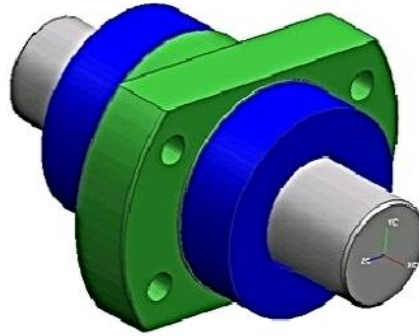


單位(Unit) : mm

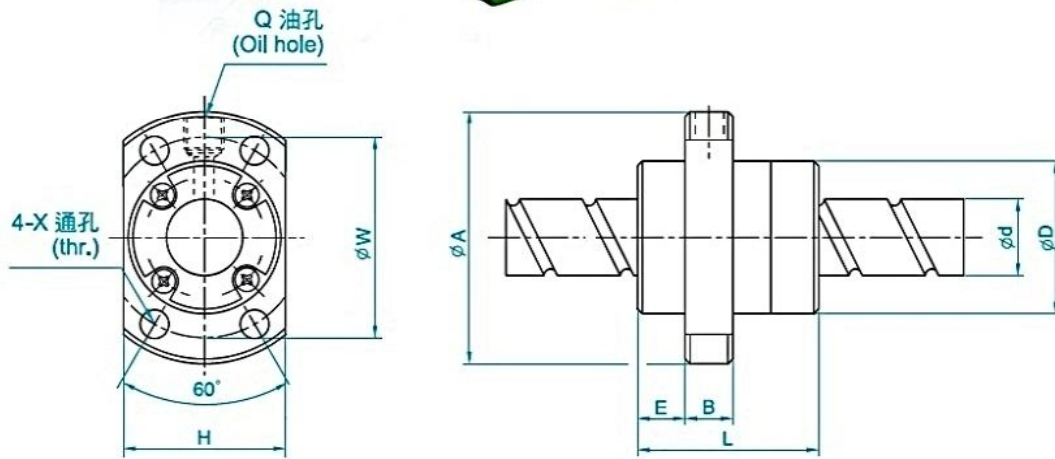
I: 導程 Lead Da: 珠徑 Ball Dia. n: 珠圈數 Number of Circuits K: 剛性 Stiffness (Kgf/μm)
Ca: 動額定負荷 Basic Dynamic Rating Load (Kgf) Coa: 靜額定負荷 Basic Static Rating Load(Kgf)

| 型號 Model No. | 滾珠螺桿、螺帽之基準數據 Dimensions | | | | | | | | | | | | |
|-----------------|-------------------------|----|-------|-----|----|----|----|---|-----|-----|------|-------|-----|
| | d | l | Da | D | L | L1 | L2 | M | R | n | Ca | Coa | K |
| SCI01604-4 | 16 | 4 | 2.381 | 30 | 40 | 9 | 15 | 3 | 1.5 | 1x4 | 973 | 2406 | 32 |
| ★ SCI01605-4 | | 5 | 3.175 | 30 | 45 | 9 | 20 | 5 | 3 | 1x4 | 1380 | 3052 | 33 |
| SCI02004-4 | 20 | 4 | 2.381 | 34 | 40 | 9 | 15 | 3 | 1.5 | 1x4 | 1066 | 2987 | 37 |
| ★ SCI02005-4 | | 5 | 3.175 | 34 | 45 | 9 | 20 | 5 | 3 | 1x4 | 1551 | 3875 | 39 |
| SCI02504-4 | 25 | 4 | 2.381 | 40 | 40 | 9 | 15 | 3 | 1.5 | 1x4 | 1180 | 3795 | 43 |
| ★ SCI02505-4 | | 5 | 3.175 | 40 | 45 | 9 | 20 | 5 | 3 | 1x4 | 1724 | 4904 | 45 |
| SCI02510-4 | | 10 | 4.762 | 46 | 85 | 13 | 30 | 5 | 3 | 1x4 | 2954 | 7295 | 51 |
| SCI03204-4 | 32 | 4 | 2.381 | 46 | 40 | 9 | 15 | 3 | 1.5 | 1x4 | 1296 | 4838 | 49 |
| ★ SCI03205-4 | | 5 | 3.175 | 46 | 45 | 9 | 20 | 5 | 3 | 1x4 | 1922 | 6343 | 52 |
| ★ SCI03210-4 | | 10 | 6.35 | 54 | 85 | 13 | 30 | 5 | 3 | 1x4 | 4805 | 12208 | 62 |
| ★ SCI04005-4 | 40 | 5 | 3.175 | 56 | 45 | 9 | 20 | 5 | 3 | 1x4 | 2110 | 7988 | 59 |
| ★ SCI04010-4 | | 10 | 6.35 | 62 | 85 | 13 | 30 | 5 | 3 | 1x4 | 5399 | 15500 | 72 |
| SCI05010-4 | 50 | 10 | 6.35 | 72 | 85 | 13 | 30 | 5 | 3 | 1x4 | 6004 | 19614 | 83 |
| ★ SCI06310-4 | 63 | 10 | 6.35 | 85 | 85 | 13 | 30 | 6 | 3.5 | 1x4 | 6719 | 25358 | 95 |
| ★ SCI08010-4 | 80 | 10 | 6.35 | 105 | 85 | 13 | 30 | 8 | 4.5 | 1x4 | 7346 | 31953 | 109 |

Note: with sign ★ can be produced in left helix



TYPE : SFE

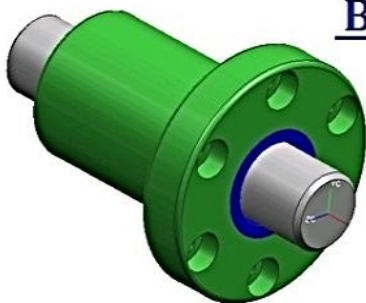


單位(Unit) : mm

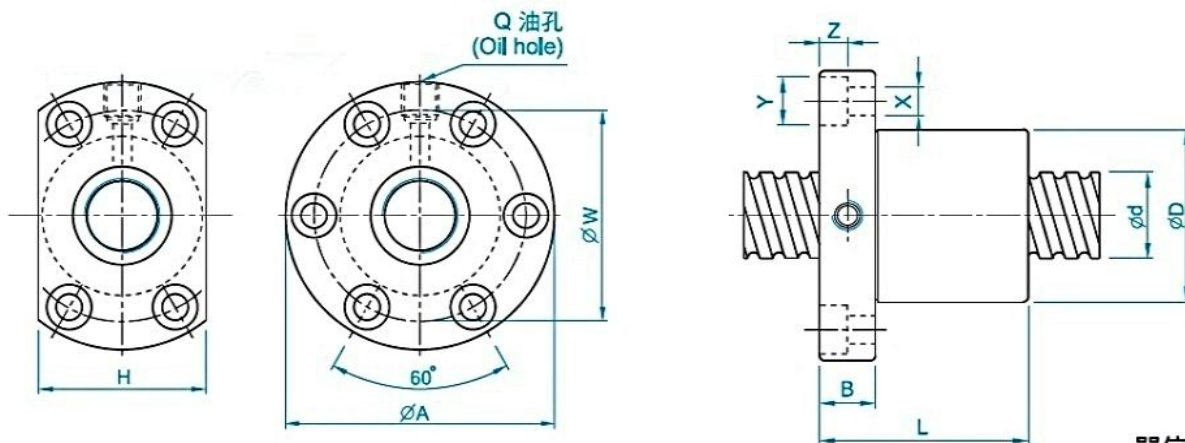
I: 導程 Lead Da: 珠徑 Ball Dia. n: 珠圈數 Number of Circuits K: 剛性 Stiffness (Kgf/ μ m)
Ca: 動額定負荷 Basic Dynamic Rating Load (Kgf) Coa: 靜額定負荷 Basic Static Rating Load (Kgf)

| 型號 Model No. | 滾珠螺桿、螺帽之基準數據 Dimensions | | | | | | | | | | | | | | | |
|-----------------|-------------------------|----|-------|----|-----|------|----|-----|-----|-----|----|----|-------|-------|-------|-----|
| | d | I | Da | D | A | E | B | L | X | W | H | Q | n | Ca | Coa | K |
| SFE01616-3 | 16 | 16 | 2.778 | 32 | 53 | 10.1 | 10 | 38 | 4.5 | 42 | 34 | M6 | 1.7x2 | 1021 | 2409 | 29 |
| SFE01616-6 | | 16 | 2.778 | 32 | 53 | 10.1 | 10 | 38 | 4.5 | 42 | 34 | M6 | 1.7x4 | 1853 | 4818 | 57 |
| SFE01632-3 | 16 | 32 | 3.175 | 34 | 55 | 10.5 | 10 | 34 | 5.5 | 45 | 36 | M6 | 0.7x2 | 518 | 1094 | 11 |
| SFE01632-6 | | 32 | 3.175 | 34 | 55 | 10.5 | 10 | 34 | 5.5 | 45 | 36 | M6 | 0.7x4 | 939 | 2188 | 21 |
| SFE02020-3 | 20 | 20 | 3.175 | 39 | 62 | 12 | 10 | 47 | 5.5 | 50 | 41 | M6 | 1.7x2 | 1321 | 3320 | 35 |
| SFE02020-6 | | 20 | 3.175 | 39 | 62 | 12 | 10 | 47 | 5.5 | 50 | 41 | M6 | 1.7x4 | 2397 | 6640 | 67 |
| SFE02040-3 | 20 | 40 | 3.175 | 38 | 58 | 11 | 10 | 41 | 5.5 | 48 | 40 | M6 | 0.7x2 | 582 | 1397 | 13 |
| SFE02040-6 | | 40 | 3.175 | 38 | 58 | 11 | 10 | 41 | 5.5 | 48 | 40 | M6 | 0.7x4 | 1056 | 2794 | 26 |
| SFE02525-3 | 25 | 25 | 3.969 | 47 | 74 | 14 | 12 | 57 | 6.6 | 60 | 49 | M6 | 1.7x2 | 1974 | 5188 | 43 |
| SFE02525-6 | | 25 | 3.969 | 47 | 74 | 14 | 12 | 57 | 6.6 | 60 | 49 | M6 | 1.7x4 | 3583 | 10377 | 83 |
| SFE02550-3 | 25 | 50 | 3.969 | 46 | 70 | 13 | 12 | 50 | 6.6 | 58 | 48 | M6 | 0.7x2 | 870 | 2183 | 16 |
| SFE02550-6 | | 50 | 3.969 | 46 | 70 | 13 | 12 | 50 | 6.6 | 58 | 48 | M6 | 0.7x4 | 1579 | 4366 | 32 |
| SFE03232-3 | 32 | 32 | 4.762 | 58 | 92 | 17 | 12 | 71 | 9 | 74 | 60 | M6 | 1.7x2 | 2876 | 8207 | 54 |
| SFE03232-6 | | 32 | 4.762 | 58 | 92 | 17 | 12 | 71 | 9 | 74 | 60 | M6 | 1.7x4 | 5220 | 16414 | 106 |
| SFE03264-3 | 32 | 64 | 4.762 | 58 | 92 | 15.5 | 12 | 62 | 9 | 74 | 60 | M6 | 0.7x2 | 1225 | 3282 | 20 |
| SFE03264-6 | | 64 | 4.762 | 58 | 92 | 15.5 | 12 | 62 | 9 | 74 | 60 | M6 | 0.7x4 | 2223 | 6565 | 39 |
| SFE04040-3 | 40 | 40 | 6.35 | 73 | 114 | 19.5 | 15 | 89 | 11 | 93 | 75 | M6 | 1.7x2 | 4600 | 13281 | 66 |
| SFE04040-6 | | 40 | 6.35 | 73 | 114 | 19.5 | 15 | 89 | 11 | 93 | 75 | M6 | 1.7x4 | 8348 | 26561 | 128 |
| SFE05050-3 | 50 | 50 | 7.938 | 90 | 135 | 21.5 | 20 | 107 | 14 | 112 | 92 | M6 | 1.7x2 | 6512 | 19430 | 80 |
| SFE05050-6 | | 50 | 7.938 | 90 | 135 | 21.5 | 20 | 107 | 14 | 112 | 92 | M6 | 1.7x4 | 11820 | 38859 | 155 |

Note: 1. "-3" means 2 starts, "-6" means 4 starts.



TYPE : SFI

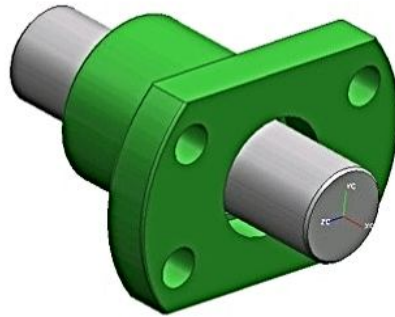


單位(Unit) : mm

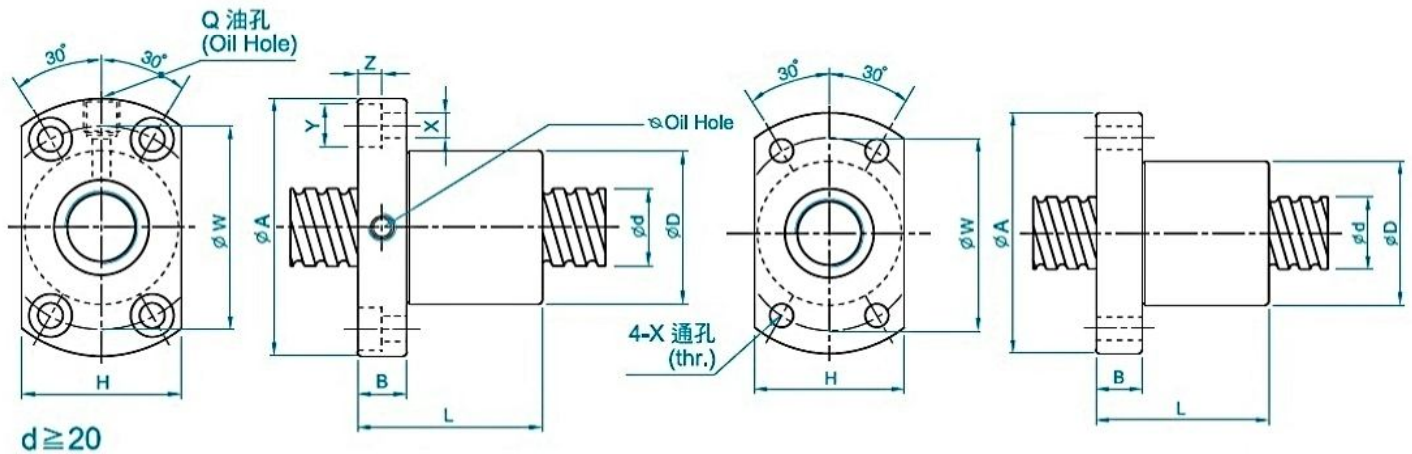
I: 導程 Lead Da: 珠徑 Ball Dia. n: 珠圈數 Number of Circuits K: 剛性 Stiffness (Kgf/μm)
Ca: 動額定負荷 Basic Dynamic Rating Load (Kgf) Coa: 靜額定負荷 Basic Static Rating Load(Kgf)

| 型號 Model No. | 滾珠螺桿、螺帽之基準數據 Dimensions | | | | | | | | | | | | | | | | |
|-----------------|-------------------------|------|-------|-----|-----|----|----|-----|-----|-----|------|-----|----|-----|------|-------|-----|
| | d | l | Da | D | A | B | L | W | H | X | Y | Z | Q | n | Ca | Coa | K |
| SFI01604-4 | | 4 | 2.381 | 30 | 49 | 10 | 45 | 39 | 34 | 4.5 | 8 | 4.5 | M6 | 1x4 | 973 | 2406 | 32 |
| ★ SFI01605-4 | 16 | 5 | 3.175 | 30 | 49 | 10 | 50 | 39 | 34 | 4.5 | 8 | 4.5 | M6 | 1x4 | 1380 | 3052 | 33 |
| ★ SFI01610-3 | | 10 | 3.175 | 34 | 58 | 10 | 57 | 45 | 34 | 5.5 | 9.5 | 5.5 | M6 | 1x3 | 1103 | 2401 | 27 |
| SFI02004-4 | | 4 | 2.381 | 34 | 57 | 11 | 46 | 45 | 40 | 5.5 | 9.5 | 5.5 | M6 | 1x4 | 1066 | 2987 | 37 |
| ★ SFI02005-4 | 20 | 5 | 3.175 | 34 | 57 | 11 | 51 | 45 | 40 | 5.5 | 9.5 | 5.5 | M6 | 1x4 | 1551 | 3875 | 39 |
| ★ SFI0205T-4 | | 5.08 | 3.175 | 34 | 57 | 11 | 51 | 45 | 40 | 5.5 | 9.5 | 5.5 | M6 | 1x4 | 1550 | 3875 | 39 |
| ★ SFI02504-4 | | 4 | 2.381 | 40 | 63 | 11 | 46 | 51 | 46 | 5.5 | 9.5 | 5.5 | M6 | 1x4 | 1180 | 3795 | 43 |
| ★ SFI02505-4 | 25 | 5 | 3.175 | 40 | 63 | 11 | 51 | 51 | 46 | 5.5 | 9.5 | 5.5 | M8 | 1x4 | 1724 | 4904 | 45 |
| SFI02510-4 | | 10 | 4.762 | 46 | 72 | 12 | 85 | 58 | 52 | 6.5 | 11 | 6.5 | M6 | 1x4 | 2954 | 7295 | 51 |
| SFI03204-4 | | 4 | 2.381 | 46 | 72 | 12 | 47 | 58 | 52 | 6.5 | 11 | 6.5 | M6 | 1x4 | 1296 | 4838 | 49 |
| ★ SFI03205-4 | 32 | 5 | 3.175 | 46 | 72 | 12 | 52 | 58 | 52 | 6.5 | 11 | 6.5 | M8 | 1x4 | 1922 | 6343 | 52 |
| ★ SFI03210-4 | | 10 | 6.35 | 54 | 88 | 15 | 90 | 70 | 62 | 9 | 14 | 8.5 | M8 | 1x4 | 4805 | 12208 | 62 |
| ★ SFI04005-4 | | 5 | 3.175 | 56 | 90 | 15 | 55 | 72 | 64 | 9 | 14 | 8.5 | M8 | 1x4 | 2110 | 7988 | 59 |
| ★ SFI04010-4 | 40 | 10 | 6.35 | 62 | 104 | 18 | 93 | 82 | 70 | 11 | 17.5 | 11 | M8 | 1x4 | 5399 | 15500 | 72 |
| ★ SFI05010-4 | 50 | 10 | 6.35 | 72 | 114 | 18 | 93 | 92 | 82 | 11 | 17.5 | 11 | M8 | 1x4 | 6004 | 19614 | 83 |
| ★ SFI06310-4 | 63 | 10 | 6.35 | 85 | 131 | 22 | 98 | 107 | 95 | 14 | 20 | 13 | M8 | 1x4 | 6719 | 25358 | 95 |
| SFI08010-4 | 80 | 10 | 6.35 | 105 | 150 | 22 | 98 | 127 | 115 | 14 | 20 | 13 | M8 | 1x4 | 7346 | 31953 | 109 |

Note: with sign ★ can be produced in left helix



TYPE : SFK



(SFK01004)

單位(Unit) : mm

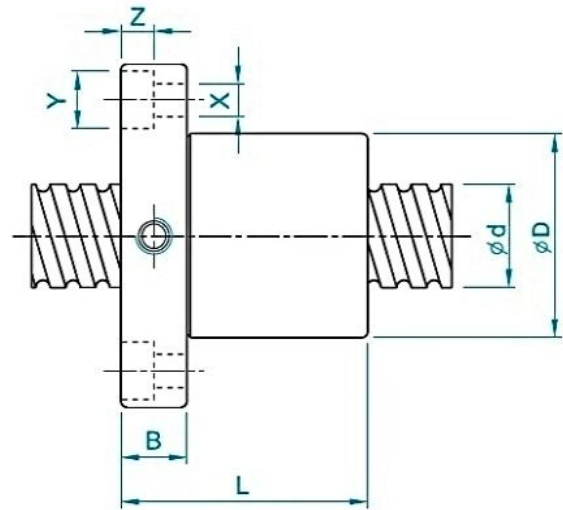
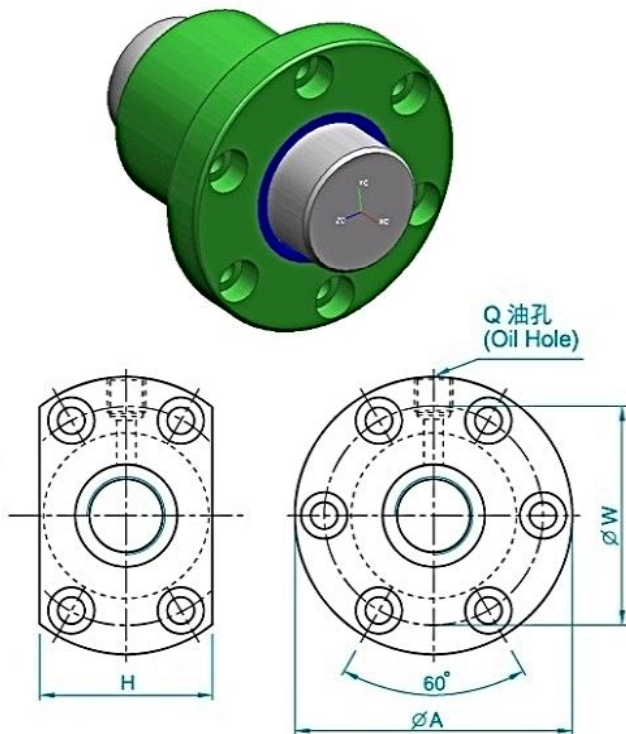
I: 導程 Lead Da: 珠徑 Ball Dia. n: 珠圈數 Number of Circuits K: 剛性 Stiffness (Kgf/μm)
Ca: 動額定負荷 Basic Dynamic Rating Load (Kgf) Coa: 靜額定負荷 Basic Static Rating Load(Kgf)

滾珠螺桿、螺帽之基準數據 Dimensions

| 型號 Model No. | d | l | Da | D | A | B | L | W | H | X | Y | Z | Q | n | Ca | Coa | K |
|-----------------|----|-----|-----|----|----|-----|----|----|----|-----|---|-----|----|-----|-----|------|----|
| SFK00401 | 4 | 1 | 0.8 | 10 | 20 | 3 | 12 | 15 | 14 | 2.9 | - | - | - | 1x2 | 64 | 97 | 5 |
| SFK00601 | 6 | 1 | 0.8 | 12 | 24 | 3.5 | 15 | 18 | 16 | 3.4 | - | - | - | 1x3 | 111 | 224 | 9 |
| ★ SFK00801 | | 1 | 0.8 | 14 | 27 | 4 | 16 | 21 | 18 | 3.4 | - | - | - | 1x4 | 161 | 403 | 14 |
| ★ SFK00802 | 8 | 2 | 1.2 | 14 | 27 | 4 | 16 | 21 | 18 | 3.4 | - | - | - | 1x3 | 222 | 458 | 13 |
| SFK0082.5 | | 2.5 | 1.2 | 16 | 29 | 4 | 26 | 23 | 20 | 3.4 | - | - | - | 1x3 | 221 | 457 | 13 |
| ★ SFK01002 | 10 | 2 | 1.2 | 18 | 35 | 5 | 28 | 27 | 22 | 4.5 | - | - | - | 1x3 | 243 | 569 | 15 |
| SFK01004 | | 4 | 2 | 26 | 46 | 10 | 34 | 36 | 28 | 4.5 | 8 | 4.5 | M6 | 1x3 | 468 | 905 | 17 |
| ★ SFK01202 | 12 | 2 | 1.2 | 20 | 37 | 5 | 28 | 29 | 24 | 4.5 | - | - | - | 1x4 | 334 | 906 | 22 |
| SFK01402 | 14 | 2 | 1.2 | 21 | 40 | 6 | 23 | 31 | 26 | 5.5 | - | - | - | 1x4 | 354 | 1053 | 24 |
| SFK01602 | 16 | 2 | 1.2 | 25 | 43 | 10 | 40 | 35 | 29 | 5.5 | - | - | M6 | 1x4 | 373 | 1200 | 26 |

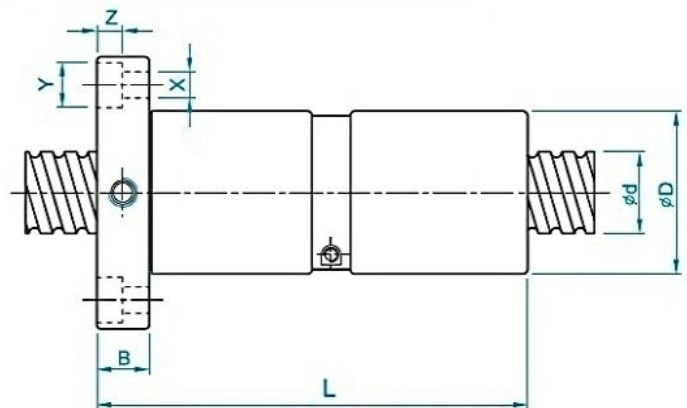
Note: with sign ★ can be produced in left helix

TYPE : SFM



Used for Milling Machine Only

TYPE : DFM

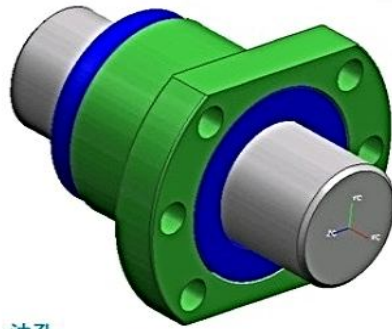


單位(Unit) : mm

I: 導程 Lead Da: 珠徑 Ball Dia. n: 珠圈數 Number of Circuits K: 剛性 Stiffness (Kgf/μm)
Ca: 動額定負荷 Basic Dynamic Rating Load (Kgf) Coa: 靜額定負荷 Basic Static Rating Load(Kgf)

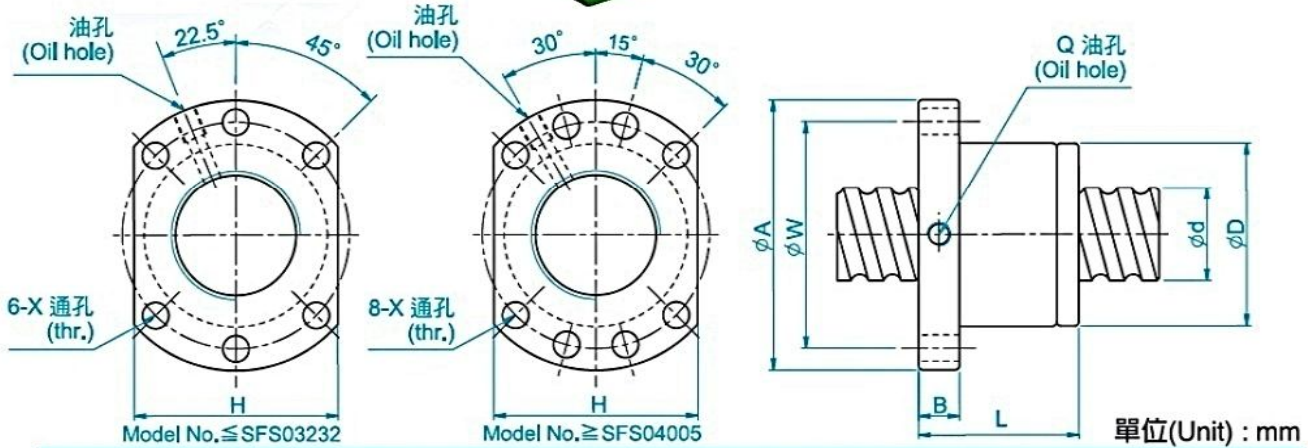
| 型號 Model No. | 滾珠螺桿、螺帽之基準數據 Dimensions | | | | | | | | | | | | | | | | |
|-----------------|-------------------------|------|-------|----|----|----|-----|----|----|-----|----|-----|----|-----|------|------|----|
| | d | l | Da | D | A | B | L | W | H | X | Y | Z | Q | n | Ca | Coa | K |
| ★ SFM03205-4 | 32 | 5 | 3.175 | 48 | 74 | 12 | 52 | 60 | 60 | 6.5 | 11 | 6.5 | M8 | 1x4 | 1922 | 6343 | 53 |
| ★ SFM0325T-4 | 32 | 5.08 | 3.175 | 48 | 74 | 12 | 53 | 60 | 60 | 6.5 | 11 | 6.5 | M8 | 1x4 | 1922 | 6343 | 53 |
| ★ DFM03205-4 | 32 | 5 | 3.175 | 48 | 74 | 12 | 102 | 60 | 60 | 6.5 | 11 | 6.5 | M8 | 1x4 | 1922 | 6343 | 73 |
| ★ DFM0325T-4 | 32 | 5.08 | 3.175 | 48 | 74 | 12 | 104 | 60 | 60 | 6.5 | 11 | 6.5 | M8 | 1x4 | 1922 | 6343 | 73 |

Note: with sign ★ can be produced in left helix



TYPE : SFS

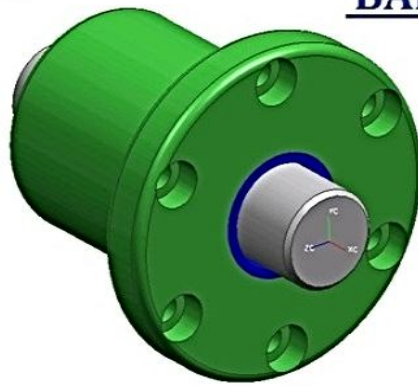
High-Speed Ball Screw



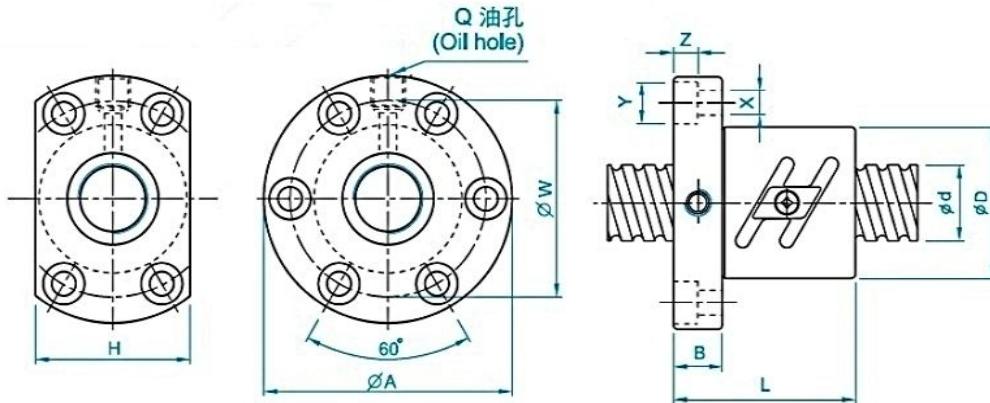
I: 導程 Lead Da: 珠徑 Ball Dia. n: 珠圈數 Number of Circuits K: 剛性 Stiffness (Kgf/μm)
Ca: 動額定負荷 Basic Dynamic Rating Load (Kgf) Coa: 靜額定負荷 Basic Static Rating Load(Kgf)

| 型號 Model No. | 滾珠螺桿、螺帽之基準數據 Dimensions | | | | | | | | | | | | | | |
|-----------------|-------------------------|----|-------|-----|-----|----|------|-----|-----|------|----|-------|-------|-------|-----|
| | d | l | Da | D | A | B | L | W | H | X | Q | n | Ca | Coa | K |
| SFS01205-2.8 | 12 | 5 | 2.5 | 24 | 40 | 10 | 31 | 32 | 30 | 4.5 | | 2.8x1 | 661 | 1316 | 19 |
| SFS01210-2.8 | | 10 | 2.5 | 24 | 40 | 10 | 48.5 | 32 | 30 | 4.5 | | 2.8x1 | 642 | 1287 | 19 |
| SFS01605-3.8 | | 5 | 2.778 | 28 | 48 | 10 | 38 | 38 | 40 | 5.5 | M6 | 3.8x1 | 1112 | 2507 | 30 |
| SFS01610-2.8 | 15 | 10 | 2.778 | 28 | 48 | 10 | 47 | 38 | 40 | 5.5 | M6 | 2.8x1 | 839 | 1821 | 23 |
| SFS01616-1.8 | | 16 | 2.778 | 28 | 48 | 10 | 45 | 38 | 40 | 5.5 | M6 | 1.8x1 | 552 | 1137 | 14 |
| SFS01616-2.8 | | 16 | 2.778 | 28 | 48 | 10 | 61 | 38 | 40 | 5.5 | M6 | 2.8x1 | 808 | 1769 | 22 |
| SFS01620-1.8 | 20 | 20 | 2.778 | 28 | 48 | 10 | 57 | 38 | 40 | 5.5 | M6 | 1.8x1 | 554 | 1170 | 14 |
| SFS02005-3.8 | | 5 | 3.175 | 36 | 58 | 10 | 40 | 47 | 44 | 6.6 | M6 | 3.8x1 | 1484 | 3681 | 37 |
| SFS02006-4.8 | | 6 | 3.175 | 36 | 58 | 10 | 50 | 47 | 44 | 6.6 | M6 | 4.8x1 | 1811 | 4644 | 47 |
| SFS02008-4.8 | 25 | 8 | 3.175 | 36 | 58 | 10 | 60 | 47 | 44 | 6.6 | M6 | 4.8x1 | 1863 | 4861 | 50 |
| SFS02010-3.8 | | 10 | 3.175 | 36 | 58 | 10 | 60 | 47 | 44 | 6.6 | M6 | 3.8x1 | 1516 | 3833 | 40 |
| SFS02020-1.8 | | 20 | 3.175 | 36 | 58 | 10 | 57 | 47 | 44 | 6.6 | M6 | 1.8x1 | 764 | 1758 | 19 |
| SFS02020-2.8 | 32 | 20 | 3.175 | 36 | 58 | 10 | 77 | 47 | 44 | 6.6 | M6 | 2.8x1 | 1118 | 2734 | 29 |
| SFS02505-3.8 | | 5 | 3.175 | 40 | 62 | 10 | 40 | 51 | 48 | 6.6 | M6 | 3.8x1 | 1650 | 4658 | 43 |
| SFS02506-4.8 | | 6 | 3.175 | 40 | 62 | 10 | 50 | 51 | 48 | 6.6 | M6 | 4.8x1 | 2015 | 5879 | 55 |
| SFS02508-4.8 | 25 | 8 | 3.175 | 40 | 62 | 10 | 60 | 51 | 48 | 6.6 | M6 | 4.8x1 | 2009 | 5867 | 56 |
| SFS02510-3.8 | | 10 | 3.175 | 40 | 62 | 12 | 62 | 51 | 48 | 6.6 | M6 | 3.8x1 | 1638 | 4633 | 45 |
| SFS02525-1.8 | | 25 | 3.175 | 40 | 62 | 12 | 70 | 51 | 48 | 6.6 | M6 | 1.8x1 | 843 | 2199 | 22 |
| SFS02525-2.8 | 31 | 25 | 3.175 | 40 | 62 | 12 | 95 | 51 | 48 | 6.6 | M6 | 2.8x1 | 1232 | 3421 | 34 |
| SFS03205-3.8 | | 5 | 3.175 | 50 | 80 | 12 | 42 | 65 | 62 | 9 | M6 | 3.8x1 | 1839 | 6026 | 51 |
| SFS03206-4.8 | | 6 | 3.175 | 50 | 80 | 12 | 51 | 65 | 62 | 9 | M6 | 4.8x1 | 2247 | 7608 | 65 |
| SFS03208-4.8 | 31 | 8 | 3.969 | 50 | 80 | 12 | 62 | 65 | 62 | 9 | M6 | 4.8x1 | 3015 | 9181 | 68 |
| SFS03210-3.8 | | 10 | 3.969 | 50 | 80 | 13 | 62 | 65 | 62 | 9 | M6 | 3.8x1 | 2460 | 7255 | 55 |
| SFS03220-2.8 | | 20 | 3.969 | 50 | 80 | 12 | 80 | 65 | 62 | 9 | M6 | 2.8x1 | 1907 | 5482 | 43 |
| SFS03232-1.8 | 40 | 32 | 3.969 | 50 | 80 | 13 | 84 | 65 | 62 | 9 | M6 | 1.8x1 | 1257 | 3426 | 27 |
| SFS03232-2.8 | | 32 | 3.969 | 50 | 80 | 13 | 116 | 65 | 62 | 9 | M6 | 2.8x1 | 1838 | 5329 | 42 |
| SFS04005-3.8 | | 5 | 3.175 | 63 | 93 | 15 | 45 | 78 | 70 | 9 | M8 | 3.8x1 | 2018 | 7589 | 60 |
| SFS04006-4.8 | 38 | 6 | 3.175 | 63 | 93 | 14 | 50 | 78 | 70 | 9 | M6 | 4.8x1 | 2467 | 9583 | 77 |
| SFS04008-4.8 | | 8 | 3.969 | 63 | 93 | 14 | 61 | 78 | 70 | 9 | M6 | 4.8x1 | 3327 | 11491 | 81 |
| SFS04010-3.8 | | 10 | 6.35 | 63 | 93 | 14 | 63 | 78 | 70 | 9 | M8 | 3.8x1 | 5035 | 13943 | 67 |
| SFS04020-2.8 | 48 | 20 | 6.35 | 63 | 93 | 14 | 82 | 78 | 70 | 9 | M8 | 2.8x1 | 3959 | 10715 | 54 |
| SFS04040-1.8 | | 40 | 6.35 | 63 | 93 | 15 | 105 | 78 | 70 | 9 | M8 | 1.8x1 | 2585 | 6648 | 34 |
| SFS04040-2.8 | | 40 | 6.35 | 63 | 93 | 15 | 145 | 78 | 70 | 9 | M8 | 2.8x1 | 3780 | 10341 | 52 |
| SFS05005-3.8 | 50 | 5 | 3.175 | 75 | 110 | 15 | 45 | 93 | 85 | 11 | M8 | 3.8x1 | 2207 | 9542 | 68 |
| SFS05010-3.8 | | 10 | 6.35 | 75 | 110 | 18 | 68 | 93 | 85 | 11 | M8 | 3.8x1 | 5638 | 17852 | 79 |
| SFS05012-3.8 | | 12 | 6.35 | 75 | 110 | 18 | 75 | 93 | 85 | 11 | M8 | 3.8x1 | 5632 | 17836 | 81 |
| SFS05020-3.8 | 61 | 20 | 6.35 | 75 | 110 | 18 | 108 | 93 | 85 | 11 | M8 | 3.8x1 | 5749 | 18485 | 87 |
| SFS05050-1.8 | | 50 | 6.35 | 75 | 110 | 18 | 125 | 93 | 85 | 11 | M8 | 1.8x1 | 2946 | 8749 | 42 |
| SFS05050-2.8 | | 50 | 6.35 | 75 | 110 | 18 | 175 | 93 | 85 | 11 | M8 | 2.8x1 | 4308 | 13610 | 65 |
| SFS06310-3.8 | 77 | 10 | 6.35 | 90 | 125 | 18 | 70 | 108 | 95 | 11 | M8 | 3.8x1 | 6343 | 23308 | 94 |
| SFS06316-3.8 | | 16 | 6.35 | 90 | 125 | 18 | 95 | 108 | 95 | 11 | M8 | 3.8x1 | 6327 | 23262 | 100 |
| SFS06320-3.8 | | 20 | 7.144 | 95 | 135 | 20 | 116 | 115 | 100 | 13.5 | M8 | 3.8x1 | 7493 | 26424 | 105 |
| SFS08010-3.8 | 96 | 10 | 6.35 | 105 | 145 | 20 | 70 | 125 | 110 | 13.5 | M8 | 3.8x1 | 6980 | 29563 | 105 |
| SFS08020-3.8 | | 20 | 9.525 | 125 | 165 | 25 | 120 | 145 | 130 | 13.5 | M8 | 3.8x1 | 12145 | 43598 | 128 |
| SFS10020-3.8 | | 20 | 12.7 | 150 | 202 | 30 | 124 | 176 | 155 | 17.5 | M8 | 3.8x1 | 19633 | 71408 | 152 |

Note: with sign ★ can be produced in left helix



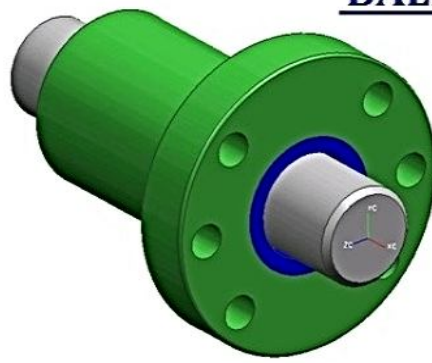
TYPE : SFT



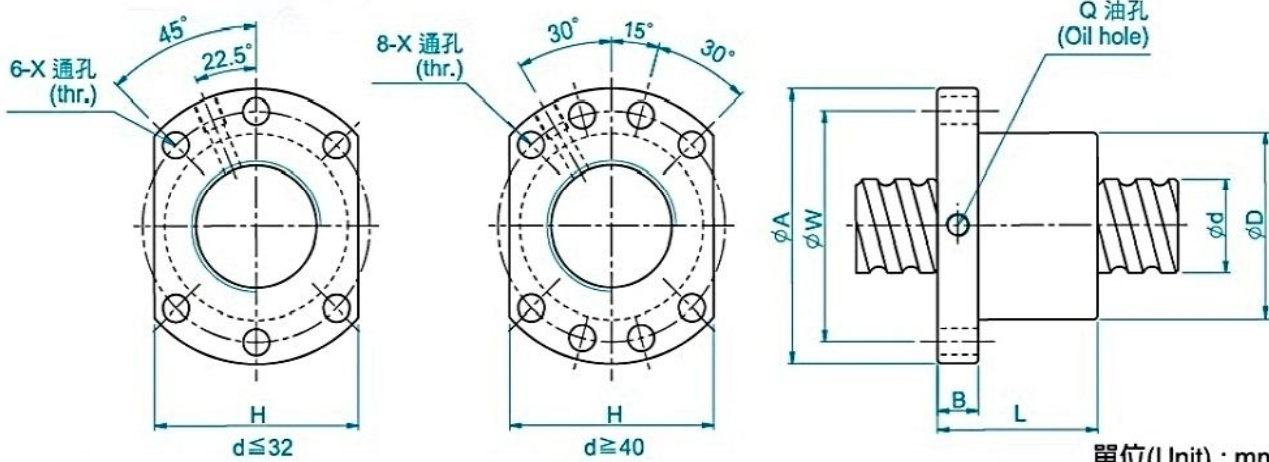
單位(Unit) : mm

I: 導程 Lead Da: 珠徑 Ball Dia. n: 珠圈數 Number of Circuits K: 剛性 Stiffness (Kgf/μm)
Ca: 動額定負荷 Basic Dynamic Rating Load (Kgf) Coa: 靜額定負荷 Basic Static Rating Load(Kgf)

| 型號 Model No. | 滾珠螺桿、螺帽之基準數據 Dimensions | | | | | | | | | | | | | | | | |
|-----------------|-------------------------|------|-------|-----|-----|-----|-----|-----|-----|-----|------|------|-------|-------|-------|-------|-----|
| | d | l | Da | D | A | B | L | W | H | X | Y | Z | Q | n | Ca | Coa | K |
| SFT02005-5 | 20 | 5 | 3.175 | 44 | 67 | 11 | 57 | 55 | 52 | 5.5 | 9.5 | 5.5 | M6 | 2.5x2 | 1879 | 4844 | 49 |
| SFT02505-5 | 25 | 5 | 3.175 | 50 | 73 | 11 | 55 | 61 | 52 | 5.5 | 9.5 | 5.5 | M8 | 2.5x2 | 2089 | 6129 | 58 |
| SFT02510-2.5 | | 10 | 6.35 | 68 | 102 | 15 | 70 | 84 | 82 | 9 | 14 | 8.5 | M8 | 2.5x1 | 2845 | 6062 | 34 |
| SFT03205-5 | 32 | 5 | 3.175 | 58 | 85 | 12 | 56 | 71 | 64 | 6.6 | 11 | 6.5 | M8 | 2.5x2 | 2329 | 7929 | 69 |
| SFT03206-5 | | 6 | 3.969 | 62 | 89 | 12 | 65 | 75 | 68 | 6.6 | 11 | 6.5 | M8 | 2.5x2 | 3189 | 9974 | 73 |
| SFT03208-5 | 32 | 8 | 4.762 | 66 | 100 | 15 | 82 | 82 | 76 | 9 | 14 | 8.5 | M8 | 2.5x2 | 4103 | 12028 | 77 |
| SFT03210-5 | | 10 | 6.35 | 74 | 108 | 15 | 96 | 90 | 82 | 9 | 14 | 9 | M8 | 2.5x2 | 5821 | 15259 | 79 |
| SFT03220-2.5 | 20 | 6.35 | 74 | 108 | 16 | 100 | 90 | 82 | 9 | 14 | 8.5 | M8 | 2.5x1 | 3284 | 8004 | 43 | |
| SFT04005-5 | 40 | 5 | 3.175 | 67 | 101 | 15 | 59 | 83 | 72 | 9 | 14 | 8.5 | M8 | 2.5x2 | 2556 | 9985 | 79 |
| SFT04010-5 | | 10 | 6.35 | 82 | 124 | 18 | 100 | 102 | 94 | 11 | 17.5 | 11 | M8 | 2.5x2 | 6541 | 19375 | 94 |
| SFT04020-2.5 | | 20 | 6.35 | 82 | 124 | 18 | 100 | 102 | 90 | 11 | 17.5 | 11 | M8 | 2.5x1 | 3683 | 10086 | 52 |
| SFT05010-5 | 50 | 10 | 6.35 | 93 | 135 | 18 | 103 | 113 | 98 | 11 | 17.5 | 11 | M8 | 2.5x2 | 7274 | 24518 | 110 |
| SFT05020-2.5 | | 20 | 9.525 | 105 | 152 | 28 | 121 | 128 | 110 | 14 | 20 | 13 | M8 | 2.5x1 | 6867 | 18241 | 63 |
| SFT06310-5 | 63 | 10 | 6.35 | 108 | 154 | 22 | 105 | 130 | 110 | 14 | 20 | 13 | M8 | 2.5x2 | 8141 | 31697 | 131 |
| SFT06320-2.5 | | 20 | 9.525 | 122 | 180 | 28 | 127 | 150 | 130 | 18 | 26 | 17.5 | M8 | 2.5x1 | 7639 | 22908 | 74 |
| SFT08010-5 | 80 | 10 | 6.35 | 130 | 176 | 22 | 105 | 152 | 132 | 14 | 20 | 13 | M8 | 2.5x2 | 8900 | 39942 | 151 |
| SFT08020-5 | | 20 | 9.525 | 143 | 204 | 28 | 180 | 172 | 148 | 18 | 26 | 18 | M8 | 2.5x2 | 15642 | 59684 | 174 |
| SFT08020-7.5 | | 20 | 9.525 | 143 | 204 | 28 | 240 | 172 | 148 | 18 | 26 | 18 | M8 | 2.5x3 | 22169 | 89525 | 257 |



TYPE : SFU



I: 導程 Lead Da: 珠徑 Ball Dia. n: 珠圈數 Number of Circuits K: 剛性 Stiffness (Kgf/μm)
Ca: 動額定負荷 Basic Dynamic Rating Load (Kgf) Coa: 靜額定負荷 Basic Static Rating Load (Kgf)

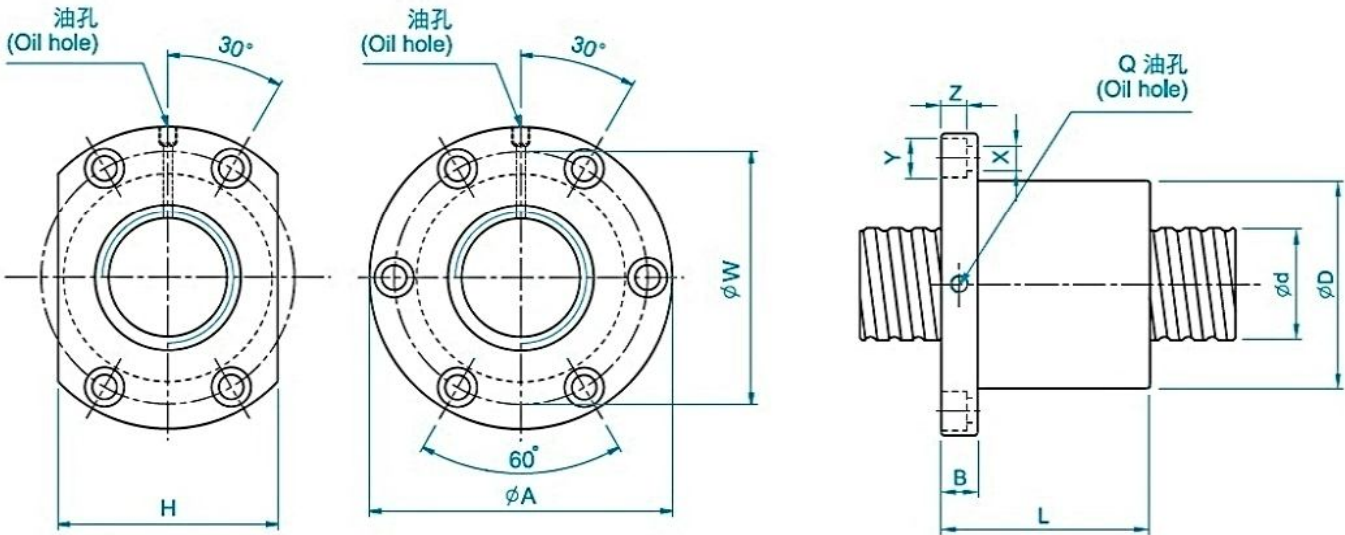
| 型號 Model No. | 滾珠螺桿、螺帽之基準數據 Dimensions | | | | | | | | | | | | | | |
|-----------------|-------------------------|----|-------|-----|-----|----|-----|-----|------|-----|----|-----|-------|-------|-----|
| | d | l | Da | D | A | B | L | W | X | H | Q | n | Ca | Coa | K |
| SFU01204-4 | 12 | 4 | 2.5 | 24 | 40 | 10 | 40 | 32 | 4.5 | 30 | | 1x4 | 902 | 1884 | 26 |
| ★ SFU01604-4 | 16 | 4 | 2.381 | 28 | 48 | 10 | 40 | 38 | 5.5 | 40 | M6 | 1x4 | 973 | 2406 | 32 |
| ★ SFU01605-4 | | 5 | 3.175 | 28 | 48 | 10 | 50 | 38 | 5.5 | 40 | M6 | 1x4 | 1380 | 3052 | 32 |
| ★ SFU01610-3 | 10 | 10 | 3.175 | 28 | 48 | 10 | 57 | 38 | 5.5 | 40 | M6 | 1x3 | 1103 | 2401 | 26 |
| SFU02004-4 | 20 | 4 | 2.381 | 36 | 58 | 10 | 42 | 47 | 6.6 | 44 | M6 | 1x4 | 1066 | 2987 | 38 |
| ★ SFU02005-4 | | 5 | 3.175 | 36 | 58 | 10 | 51 | 47 | 6.6 | 44 | M6 | 1x4 | 1551 | 3875 | 39 |
| SFU02504-4 | 25 | 4 | 2.381 | 40 | 62 | 10 | 42 | 51 | 6.6 | 48 | M6 | 1x4 | 1180 | 3795 | 43 |
| ★ SFU02505-4 | | 5 | 3.175 | 40 | 62 | 10 | 51 | 51 | 6.6 | 48 | M6 | 1x4 | 1724 | 4904 | 45 |
| SFU02506-4 | | 6 | 3.969 | 40 | 62 | 10 | 54 | 51 | 6.6 | 48 | M6 | 1x4 | 2318 | 6057 | 47 |
| SFU02508-4 | | 8 | 4.762 | 40 | 62 | 10 | 63 | 51 | 6.6 | 48 | M6 | 1x4 | 2963 | 7313 | 49 |
| ★ SFU02510-4 | 10 | 10 | 4.762 | 40 | 62 | 12 | 85 | 51 | 6.6 | 48 | M6 | 1x4 | 2954 | 7295 | 50 |
| SFU03204-4 | 32 | 4 | 2.381 | 50 | 80 | 12 | 44 | 65 | 9 | 62 | M6 | 1x4 | 1296 | 4838 | 51 |
| ★ SFU03205-4 | | 5 | 3.175 | 50 | 80 | 12 | 52 | 65 | 9 | 62 | M6 | 1x4 | 1922 | 6343 | 54 |
| SFU03206-4 | | 6 | 3.969 | 50 | 80 | 12 | 57 | 65 | 9 | 62 | M6 | 1x4 | 2632 | 7979 | 57 |
| SFU03208-4 | | 8 | 4.762 | 50 | 80 | 12 | 65 | 65 | 9 | 62 | M6 | 1x4 | 3387 | 9622 | 60 |
| ★ SFU03210-4 | 10 | 10 | 6.35 | 50 | 80 | 12 | 90 | 65 | 9 | 62 | M6 | 1x4 | 4805 | 12208 | 61 |
| ★ SFU04005-4 | 40 | 5 | 3.175 | 63 | 93 | 14 | 55 | 78 | 9 | 70 | M8 | 1x4 | 2110 | 7988 | 63 |
| SFU04006-4 | | 6 | 3.969 | 63 | 93 | 14 | 60 | 78 | 9 | 70 | M6 | 1x4 | 2873 | 9913 | 66 |
| SFU04008-4 | | 8 | 4.762 | 63 | 93 | 14 | 67 | 78 | 9 | 70 | M6 | 1x4 | 3712 | 11947 | 70 |
| ★ SFU04010-4 | 10 | 10 | 6.35 | 63 | 93 | 14 | 93 | 78 | 9 | 70 | M8 | 1x4 | 5399 | 15500 | 73 |
| ★ SFU05010-4 | 50 | 10 | 6.35 | 75 | 110 | 16 | 93 | 93 | 11 | 85 | M8 | 1x4 | 6004 | 19614 | 85 |
| ★ SFU05020-4 | | 20 | 7.144 | 75 | 110 | 16 | 138 | 93 | 11 | 85 | M8 | 1x4 | 7142 | 22588 | 94 |
| SFU06310-4 | 63 | 10 | 6.35 | 90 | 125 | 18 | 98 | 108 | 11 | 95 | M8 | 1x4 | 6719 | 25358 | 99 |
| SFU06320-4 | | 20 | 9.525 | 95 | 135 | 20 | 149 | 115 | 13.5 | 100 | M8 | 1x4 | 11444 | 36653 | 112 |
| ★ SFU08010-4 | 80 | 10 | 6.35 | 105 | 145 | 20 | 98 | 125 | 13.5 | 110 | M8 | 1x4 | 7346 | 31953 | 109 |
| SFU08020-4 | | 20 | 9.525 | 125 | 165 | 25 | 154 | 145 | 13.5 | 130 | M8 | 1x4 | 12911 | 47747 | 138 |
| ★ SFU10020-4 | 100 | 20 | 9.525 | 150 | 202 | 30 | 180 | 170 | 17.5 | 155 | M8 | 1x4 | 14303 | 60698 | 162 |

Note: with sign ★ can be produced in left helix



TYPE : SFV

High-Speed & Heavy Load Ball Screw



單位(Unit) : mm

I: 導程 Lead Da: 珠徑 Ball Dia. n: 珠圈數 Number of Circuits K: 剛性 Stiffness (Kgf/μm)
Ca: 動額定負荷 Basic Dynamic Rating Load (Kgf) Coa: 靜額定負荷 Basic Static Rating Load (Kgf)

| 型號 Model No. | 滾珠螺桿、螺帽之基準數據 Dimensions | | | | | | | | | | | | | | | | |
|-----------------|-------------------------|-------|-------|-----|-----|-----|-----|-----|-----|------|------|------|-------|-------|-------|-------|-----|
| | d | l | Da | D | A | B | L | W | H | X | Y | Z | Q | n | Ca | Coa | K |
| SFV01205-2.8 | 12 | 5 | 2.5 | 30 | 50 | 10 | 42 | 40 | 32 | 4.5 | 8 | 4.5 | M6 | 2.8x1 | 661 | 1316 | 19 |
| SFV01210-2.7 | | 10 | 2.5 | 30 | 50 | 10 | 53 | 40 | 32 | 4.5 | 8 | 4.5 | M6 | 2.7x1 | 623 | 1241 | 18 |
| SFV01510-2.7 | 15 | 10 | 3.175 | 34 | 58 | 10 | 57 | 45 | 34 | 5.5 | 9.5 | 5.5 | M6 | 2.7x1 | 972 | 2020 | 23 |
| SFV01604-3.8 | | 4 | 2.381 | 34 | 57 | 11 | 45 | 45 | 34 | 5.5 | 9.5 | 5.5 | M6 | 3.8x1 | 931 | 2285 | 31 |
| SFV01605-4.8 | 16 | 5 | 3.175 | 40 | 63 | 11 | 58 | 51 | 42 | 5.5 | 9.5 | 5.5 | M6 | 4.8x1 | 1614 | 3662 | 40 |
| SFV01610-2.7 | | 10 | 3.175 | 40 | 63 | 11 | 56 | 51 | 42 | 5.5 | 9.5 | 5.5 | M6 | 2.7x1 | 1008 | 2161 | 24 |
| SFV02004-4.8 | 20 | 4 | 2.381 | 40 | 60 | 10 | 50 | 50 | 40 | 4.5 | 8 | 4 | M6 | 4.8x1 | 1247 | 3584 | 45 |
| SFV02005-4.8 | | 5 | 3.175 | 44 | 67 | 11 | 57 | 55 | 52 | 5.5 | 9.5 | 5.5 | M6 | 4.8x1 | 1814 | 4650 | 47 |
| SFV02010-2.7 | 20 | 10 | 3.969 | 46 | 74 | 13 | 57 | 59 | 46 | 6.6 | 11 | 6.5 | M6 | 2.7x1 | 1518 | 3398 | 30 |
| SFV02020-1.8 | | 20 | 3.175 | 46 | 74 | 13 | 70 | 59 | 46 | 6.6 | 11 | 6.5 | M6 | 1.8x1 | 764 | 1758 | 19 |
| SFV02505-4.8 | 25 | 5 | 3.175 | 50 | 73 | 11 | 55 | 61 | 52 | 5.5 | 9.5 | 5.5 | M8 | 4.8x1 | 2017 | 5884 | 56 |
| SFV02506-4.8 | | 6 | 3.969 | 53 | 76 | 11 | 62 | 64 | 58 | 5.5 | 9.5 | 5.5 | M6 | 4.8x1 | 2711 | 7268 | 58 |
| SFV02508-4.8 | 25 | 8 | 4.762 | 56 | 85 | 13 | 70 | 71 | 64 | 6.5 | 11 | 6.5 | M6 | 4.8x1 | 3466 | 8776 | 61 |
| SFV02510-2.7 | | 10 | 6.35 | 68 | 102 | 15 | 70 | 84 | 82 | 9 | 14 | 8.5 | M8 | 2.7x1 | 3040 | 6547 | 37 |
| SFV02525-1.8 | 25 | 3.175 | 50 | 73 | 13 | 83 | 61 | 52 | 5.5 | 9.5 | 5.5 | M8 | 1.8x1 | 843 | 2199 | 22 | |
| SFV03204-4.8 | 32 | 4 | 2.381 | 54 | 81 | 12 | 50 | 67 | 64 | 6.6 | 11 | 6.5 | M6 | 4.8x1 | 1517 | 5806 | 62 |
| SFV03205-4.8 | | 5 | 3.175 | 58 | 85 | 12 | 56 | 71 | 64 | 6.6 | 11 | 6.5 | M8 | 4.8x1 | 2249 | 7612 | 66 |
| SFV03206-4.8 | 32 | 6 | 3.969 | 62 | 89 | 12 | 60 | 75 | 68 | 6.6 | 11 | 6.5 | M8 | 4.8x1 | 3079 | 9575 | 70 |
| SFV03208-4.8 | | 8 | 4.762 | 66 | 100 | 15 | 75 | 82 | 76 | 9 | 14 | 8.5 | M8 | 4.8x1 | 3962 | 11547 | 74 |
| SFV03210-4.8 | 32 | 10 | 6.35 | 74 | 108 | 15 | 96 | 90 | 82 | 9 | 14 | 9 | M8 | 4.8x1 | 5620 | 14649 | 76 |
| SFV03220-2.7 | | 20 | 6.35 | 74 | 108 | 16 | 100 | 90 | 82 | 9 | 14 | 8.5 | M8 | 2.7x1 | 3509 | 8644 | 46 |
| SFV04005-4.8 | 40 | 5 | 3.175 | 67 | 101 | 15 | 59 | 83 | 72 | 9 | 14 | 8.5 | M8 | 4.8x1 | 2468 | 9586 | 76 |
| SFV04010-4.8 | | 10 | 6.35 | 82 | 124 | 18 | 100 | 102 | 94 | 11 | 17.5 | 11 | M8 | 4.8x1 | 6316 | 18600 | 90 |
| SFV04020-2.7 | 20 | 6.35 | 82 | 124 | 18 | 100 | 102 | 90 | 11 | 17.5 | 11 | M8 | 2.7x1 | 3935 | 10893 | 56 | |
| SFV05005-4.8 | 50 | 5 | 3.175 | 80 | 114 | 15 | 60 | 96 | 82 | 9 | 14 | 8.5 | M8 | 4.8x1 | 2698 | 12053 | 87 |
| SFV05010-4.8 | | 10 | 6.35 | 93 | 135 | 16 | 93 | 113 | 98 | 11 | 17.5 | 11 | M8 | 4.8x1 | 7023 | 23537 | 106 |
| SFV05020-2.7 | 20 | 9.525 | 105 | 152 | 28 | 121 | 128 | 110 | 14 | 20 | 13 | M8 | 2.7x1 | 7336 | 19700 | 68 | |
| SFV06310-4.8 | 63 | 10 | 6.35 | 108 | 154 | 22 | 105 | 130 | 110 | 14 | 20 | 13 | M8 | 4.8x1 | 7860 | 30430 | 126 |
| SFV06320-2.7 | | 20 | 9.525 | 122 | 180 | 28 | 120 | 150 | 130 | 18 | 26 | 17.5 | M8 | 2.7x1 | 8162 | 24741 | 80 |
| SFV08010-4.8 | 80 | 10 | 6.35 | 130 | 176 | 22 | 105 | 152 | 132 | 14 | 20 | 13 | M8 | 4.8x1 | 8593 | 38344 | 145 |
| SFV08020-4.8 | | 20 | 9.525 | 143 | 204 | 28 | 180 | 172 | 148 | 18 | 26 | 18 | M8 | 4.8x1 | 15103 | 57296 | 168 |
| SFV08020-7.6 | 20 | 9.525 | 143 | 204 | 28 | 240 | 172 | 148 | 18 | 26 | 18 | M8 | 3.8x2 | 22423 | 90719 | 260 | |

Note: with sign ★ can be produced in left helix